



## 1 Model identification

The Covers IP65 sealing series includes 4 items:

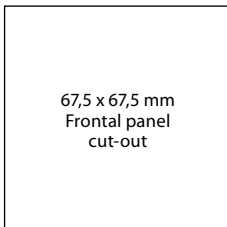
1300.21.001	Adapter 72x72 to 48x48 - BLACK plastic with transparent cover
1300.21.001R	Adapter 72x72 to 48x48 - RED plastic with transparent cover
1300.21.002	Adapter 48x96 to 32x74 - BLACK plastic with transparent cover
1300.21.002R	Adapter 48x96 to 32x74 - RED plastic with transparent cover

## 2 General features

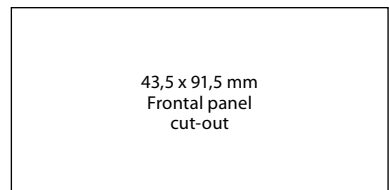
Operating temperature	Temperature: -10..55° C
Sealing	Adapter: IP65 (with gasket) - Transparent cover: protection for dust (IP20) and shocks
Material for frontal adapter and fixing clamp	Nylon PA 6,6 30% GFR
Material for cover	PC UL94V2 self-extinguishing
Material for gasket	Silicone rubber

## 3 Frontal panel cut-out

1300.21.001 (model "R" for red version)



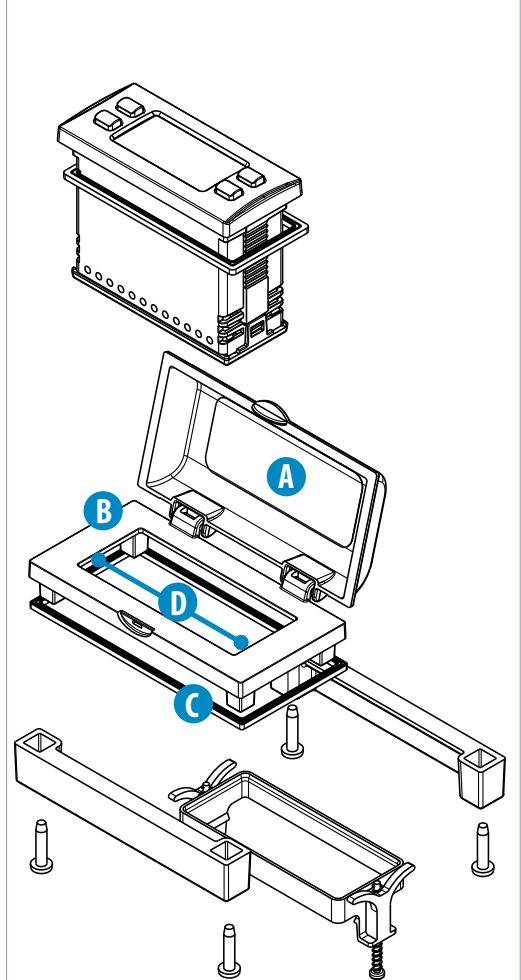
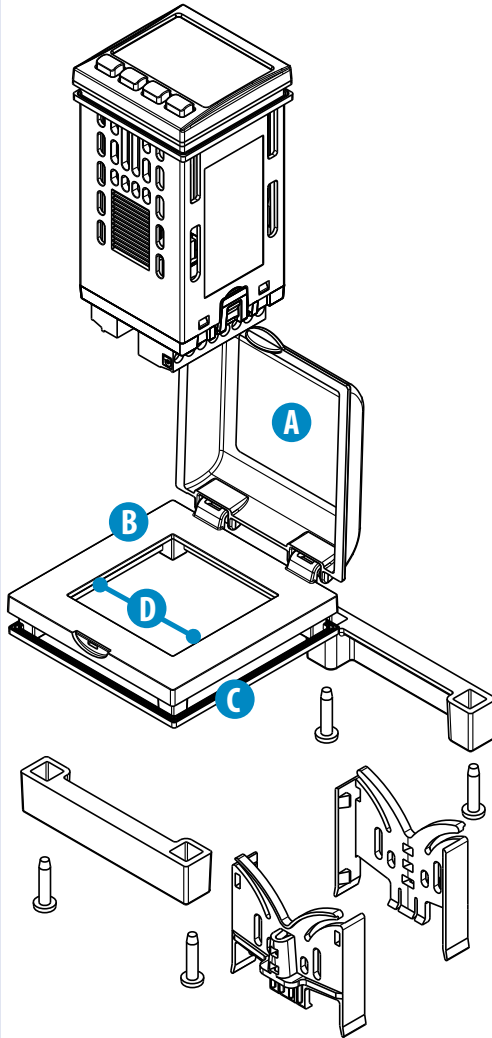
1300.21.002 (model "R" for red version)



## 4 Installation

1300.21.001 (model "R" for red version)

1300.21.002 (model "R" for red version)



<b>A</b>	Transparent cover in Polycarbonate
<b>B</b>	Adapter 72x72 and 48x96 in Nylon PA
<b>C</b>	Gasket in Silicone rubber for IP65 sealing
<b>D</b>	Cut-Out area for Pixsys 48x48 and 32x74 series