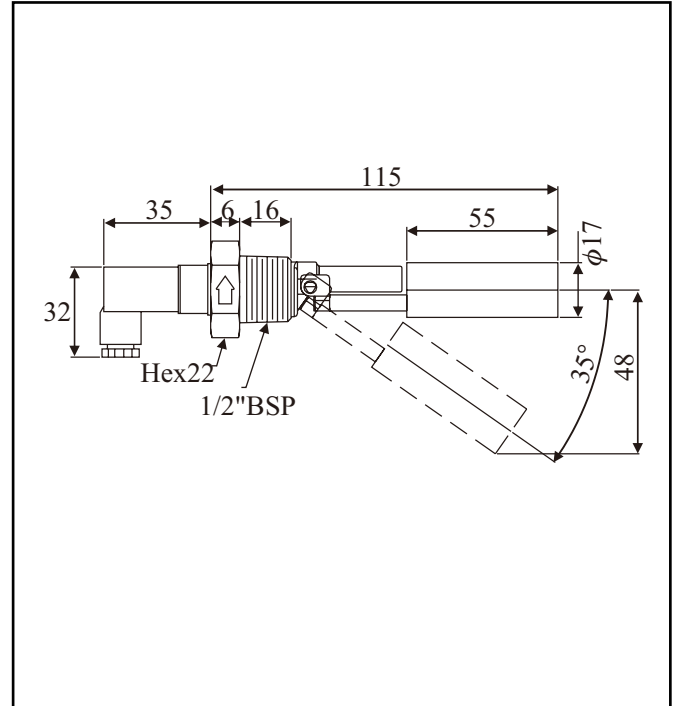


AISI304 SIDE MOUNTING LEVEL SWITCH Serie IMSCFS19

AISI304 Stainless Steel level switch for horizontal mounting position.

Normally Open or Normally Closed use depending of the mounting position.



Technical data

- Body in: AISI304
- Float in: AISI304
- Connection threaded 1/2" BSP male
- Connectin: DIN connector IP65 (mating supplied)
- Working Temperature -10°...+95 °C
- Max Pressure 5bar
- Ambient temperature range -12°...+60 °C
- N.O. Contact with open float position
- Max Contact Resistance: 100m Ω
- Max Voltage: 230Vac
- Max contact rating: 10W