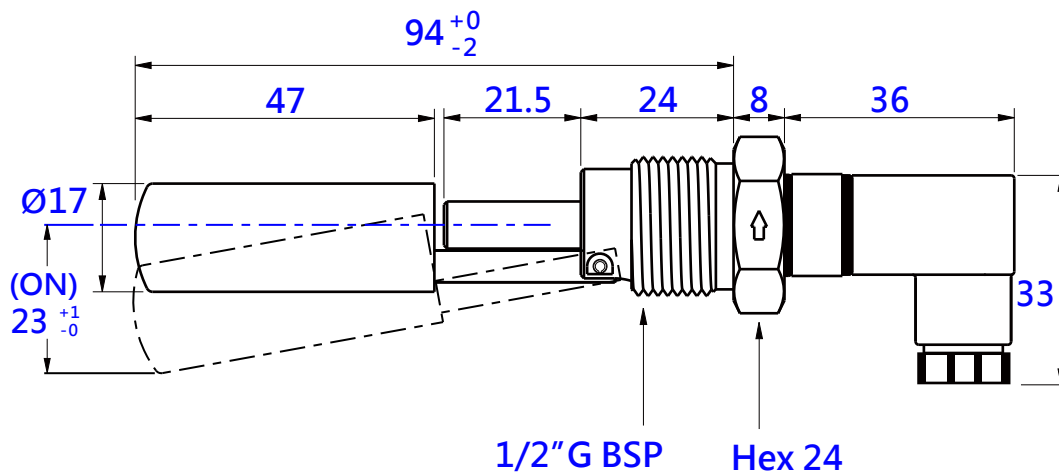




Dimensions



Mounting Style	External
Mounting thread	1/2" G BSP
stem	AISI 304
Float	Ø17x47 , AISI 316L
Operation Temp.	- 10°C ~ + 120°C
Max.Pressure	10 Bar
Float S.G.	0.7
Mini.Fluid S.G.	0.8
Contact Form	N/O (N/C) , SPST
Switch Rating VA	50W
Switching Voltage Max.	300 Vac/350 Vdc
Switching Current Max.	DC 0.7A/AC 0.5A
Carry Current Max.	2.5A
Lead Wires	DIN43650 (EN175301-803) Connector (NEMA 4/IP65)