

## HELICAL NYLON FLOWMETERS WITH DISPLAY Serie BR-D

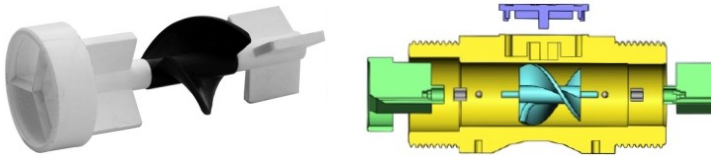
### LCD DISPLAY



### FEATURES

- LCD display indicator with two lines
- 3V battery powered about 1 year life in line
- 4 digits for instantaneous flow rate measurement m<sup>3</sup>/h or L/h
- 8 digits for cumulative flow totalizer (resetable) m<sup>3</sup> or L
- 8 digits for cumulative flow totalizer non resetable m<sup>3</sup> or L
- Reset button and Calibration button
- The cumulative flow automatically expand the display precision
- Cumulative flow and coefficient settings will be stored for 10 years when power off
- Version BR-DA with 4-20mA output needs 24Vdc power supply

### HELICAL ROTATING SENSOR



The helical flow sensor is a special positive displacement system with a very favorable low pressure drop behavior, therefore perfectly suited for flow measurements for low and high viscosity liquids. The special developed mechanical helical sensing system provides wide measuring ranges, high accuracy and high resolution they are the excellent choice for water, laminating systems, painting systems, adhesive dispensing systems, as well as batching systems for various viscous liquids.

### MATERIALS

Body: Nylon PA66 + 30% GF (Glass Fiber)  
 Helical rotor: Nylon PA66  
 Shaft: S.S. AISI316  
 Ball: S.S. AISI304 with hard coating  
 Support: POM

### ELECTRICAL DATA

**Power supply**  
 Battery 3Vdc or 24Vdc

**Optional Output**  
 4-20mA (power supply 24Vdc)

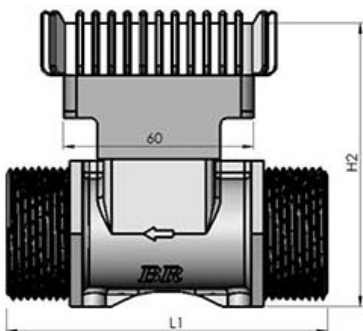
### CALIBRATION

the flowmeter is always calibrated with water. When used with different liquids may be necessary re-calibrate the meter just adjusting the PPL (Pulses Per Liter) factor.  
 ! Never use compress air to test the flowmeter !

MODELS	Size BSP male	Range l/min	PPL approx	Accuracy wide range	Repeatability standard	Temperature range	Pressure max	Viscosity range
BR-D-004	1/4"	0.5 ÷ 6	3900	±1%	0,1%	-20°...+80°C	10 bar	1 ÷ 106 mm <sup>2</sup> /s
BR-D-008	1/2"	2 ÷ 30	950	±1%	0,1%	-20°...+80°C	10 bar	1 ÷ 106 mm <sup>2</sup> /s
BR-D-012	3/4"	8 ÷ 90	204	±1%	0,1%	-20°...+80°C	10 bar	1 ÷ 106 mm <sup>2</sup> /s
BR-D-020	1"	15 ÷ 150	84	±1%	0,1%	-20°...+80°C	10 bar	1 ÷ 106 mm <sup>2</sup> /s
BR-D-025	1.1/4"	18 ÷ 180	49	±1%	0,1%	-20°...+80°C	10 bar	1 ÷ 106 mm <sup>2</sup> /s

It is possible to use the flowmeters with lower flow rates by adjusting and recalibrating the PPLs

### DIMENSIONS



Models	L1	H2	Weight	Thread
BR-D-004	60	68.5	0.13 Kg	1/4"BSP
BR-D-008	70	74	0.14 Kg	1/2"BSP
BR-D-012	87	79	0.16 Kg	3/4"BSP
BR-D-020	95	84.5	0.18 Kg	1"BSP
BR-D-025	101.3	91	0.23 Kg	1.1/4"BSP