

**Technical Data**

MF100E for mini low flow of gas, and liquid

**Material:** 316 stainless steel for case and body.

**Indication:** via magnetic coupling (no seals)

**Flow rate:** air- 8~150 NL/H  
water- 0.1~2.5 L/H

**Working Temperature:**

Combine without electronic parts: -40°C~+180°C

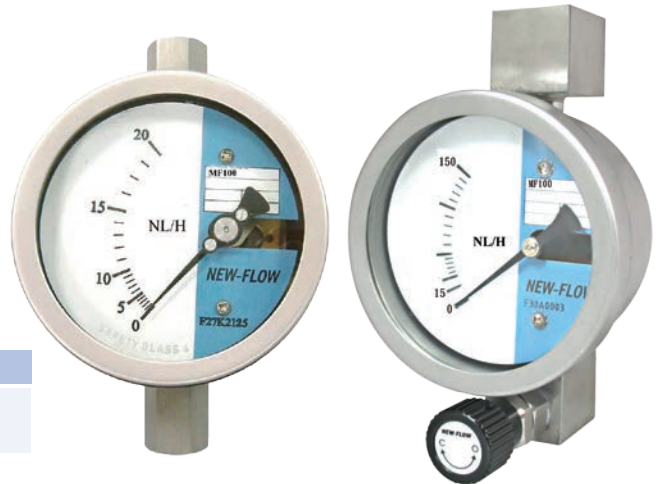
**Working Pressure:** Standard 40 kg/cm<sup>2</sup>;  
other options upon request

**Connection size:** ¼" NPT or BSP available

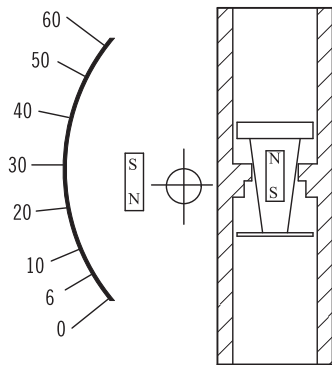
**Protection Class:** IP66 / IP68

**Accuracy:** ± 5 % FS

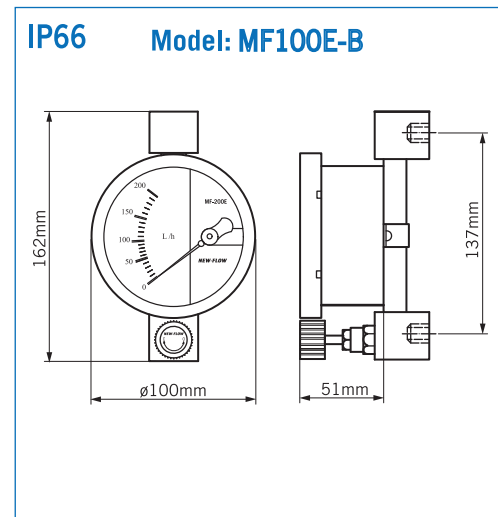
**Approvals:**  
**CE 2810**  
(PED: 2014/68/EU)



**Principle**



**Dimensions**



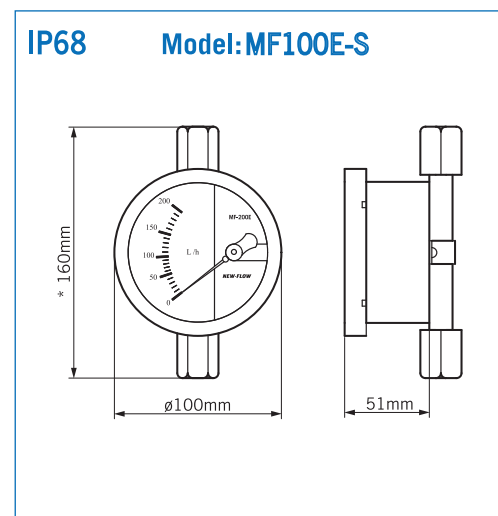
**MF100E-B**  
Basic Model:  
Rear connection + needle valve

**Standard Scales**

| Tube   | NL/H<br>Air 0°C 1.013bar | L/H<br>Water 20°C | Accuracy |
|--------|--------------------------|-------------------|----------|
| MF1001 | 8~40 NL/H                | 0.1~0.5 L/H       | ±5% F.S  |
| MF1002 | 10~70 NL/H               | 0.3~1.5 L/H       | ±5% F.S  |
| MF1003 | 15~90 NL/H               | 0.4~2.0 L/H       | ±5% F.S  |
| MF1004 | 15~150 NL/H              | 0.5~2.5 L/H       | ±5% F.S  |

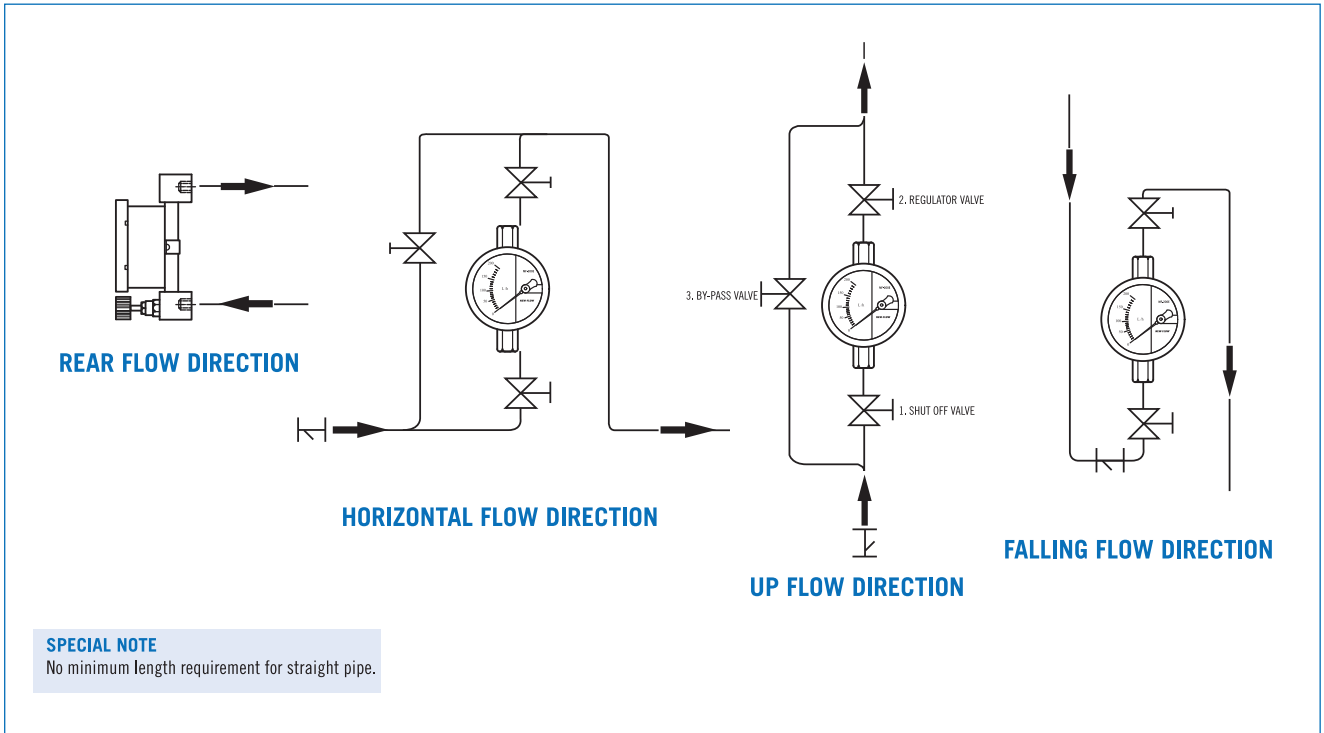
**NOTE.**

Performance Technical Data are effective with date of issue and are subject to change without prior notice.



**MF100E-S**  
Basic Model:  
Thread connection

**Installation**



**SPECIAL NOTE**  
No minimum length requirement for straight pipe.

**Ordering Information**

| MF100E | Code        | Connection                              | Code   | Connection size                           |
|--------|-------------|---|--|---|
|        | S           | Thread connection                       | 4B   | 1/4" BSP (Female)                         |
|        | B           | Rear connection with needle valve       | 4N   | 1/4" NPT (Female)                         |
|        | <b>Code</b> | <b>Type</b>                             | <b>Code</b>  | <b>Protection Class</b>                   |
|        | G           | Indicating only                         | IP   | IP66 (for MF100E-B) / IP68 (for MF100E-S) |
|        | <b>Code</b> | <b>Alarm</b>                            | <b>Code</b>  | <b>Fluid</b>                              |
|        | 0           | Without alarm switch                    | G  | Gas                                       |
|        | <b>Code</b> | <b>Body material</b>                    | L  | Liquid                                    |
|        | A           | SS316                                   | <b>Code</b>  | <b>Range</b>                              |
|        | <b>Code</b> | <b>Float &amp; Wetted part material</b> | S  | Standard range                            |
|        | A           | SS316                                   | Please directly fill out the flow range in the order code. |   |
|        | <b>Code</b> | <b>Connection rating</b>                |  |   |
|        | 0           | Thread connection                       |  |   |

**CE Mark Request :**  
If stamp the CE<sub>2810</sub> mark is necessary, please consult with the manufacturer.

|        |  |  |  |  |  |  |  |  |  |
|--------|--|--|--|--|--|--|--|--|--|
| MF100E |  |  |  |  |  |  |  |  |  |
|--------|--|--|--|--|--|--|--|--|--|

|   |  |  |  |  |  |  |  |  |  |
|---|--|--|--|--|--|--|--|--|--|
| + |  |  |  |  |  |  |  |  |  |
|---|--|--|--|--|--|--|--|--|--|

**NOTE:**  
1. Custom-made flow range and flange size upon request.  
2. Please fill in the ordering information and service condition,

**Special instruction, if any:**

---



---



---

**Service Condition:**

Fluid name: \_\_\_\_\_

Sp. Gr. (density): \_\_\_\_\_

Viscosity: \_\_\_\_\_

Press.: \_\_\_\_\_

Temp.: \_\_\_\_\_

Full scale: \_\_\_\_\_