

## MASS FLOWMETER MAX 600 lmin Serie THF

**±1% & ±2% Accuracy**  
**Linear Output**  
**Thermal Technology**  
**For Using in Non Corrosive Gas**  
**For Flow Rates up to 600 SLM**  
**Power Supply Included**

The NEW-FLOW Thermal Mass Flow Meters provide high performance. Thermal Technology offers advantages in accuracy, sensitivity and turn quality components and the latest technology are combined to provide reliable, compact meters and controllers. The THF Series comes With or Without an LCD Display; or Flow Rate with Totalizer LCD Display. All models come with linear 0-5VDC and 4-20mA output. The THF Series measures the mass flow rate of gases in 5 ranges from 0-250 SLM to 0-600 SLM as shown in the range table.

### Technical Data

**Type:** Without LCD Display; Flow Rate with LCD Display;  
 Flow Rate with LCD Display & Blue Back Lighted;  
 Flow Rate with Totalizer LCD Display & Blue Back Lighted

**Wetted Parts Material:** Standard flowbody-SS316, option available  
 O-ring: Viton or FFKM available

**Output Signal:** 0-5 VDC Linear min. load 1000Ω or 4-20 mA Linear, loop resistance 500Ω

**Input Power:** 24VDC standard; optional power supply 15VDC 115VAC, 220VAC @500mA

**Accuracy:** ±1% F.S. (including linearity);  
 ±2% F.S. (including linearity) for range 0-600 SLM

**Turn Down Ratio:** 100:1

**Repeatability:** ±0.15% F.S. or Better

**Electric Connection:** 9 Pin Sub "D"

**Process Connection:** ½" NPT female

**Range:** 0-250 SLM to 0-600 SLM

**Minimum Pressure:** 100" H<sub>2</sub>O

**Max. Pressure:** 500 psig

**Temperature Range:** 0~50°C

**Response Time:** 1 Second

**Temp. Coefficient:** 0.05% Full Scale per 1°C or Better

**Pressure Coefficient:** 0.01% Full Scale per PSIG or Better

**Flow Unit:** Kg, GAL, Nℓ, Nm<sup>3</sup>, cc, ℓ, M<sup>3</sup>

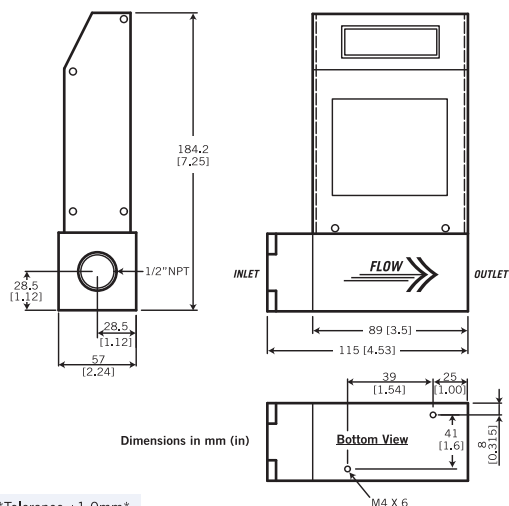
(Flow rate with LCD display: Label by manufacturer;

Flow rate with totalizer LCD display: Unit LCD display)

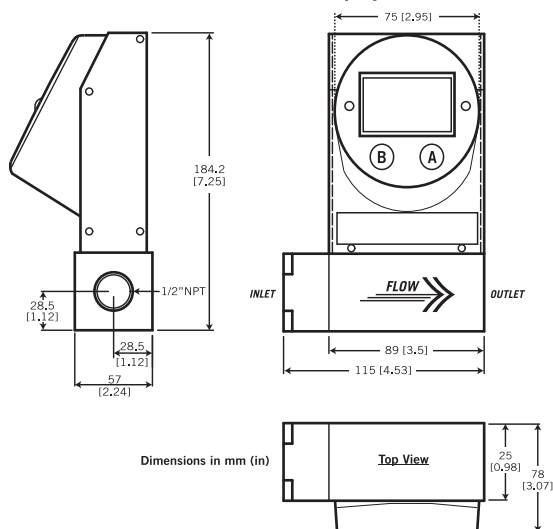
**Weight:** app. 2.45 kg with power supply ; app. 2.59 kg with power supply & totalizer

### Dimensions

Flow Rate with LCD Display (without LCD available)



Flow Rate with Totalizer LCD Display



\*Tolerance ±1.0mm\*

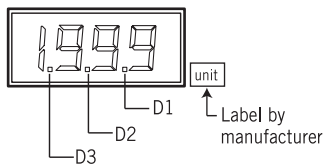


Approvals:



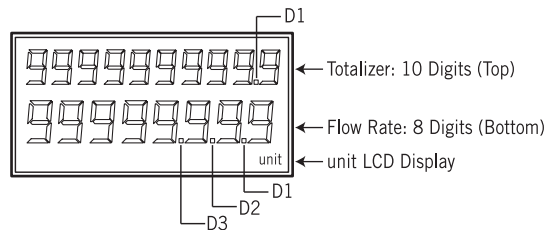
### Display Digital Decimal Point Function

Flow Rate with LCD Display:



Range	Decimal Point
0 ~ 1.999	D3
2.0 ~ 19.99	D2
20.0 ~ 199.9	D1
200 ~ 1999	None

Flow Rate with Totalizer LCD Display :



## Range Table

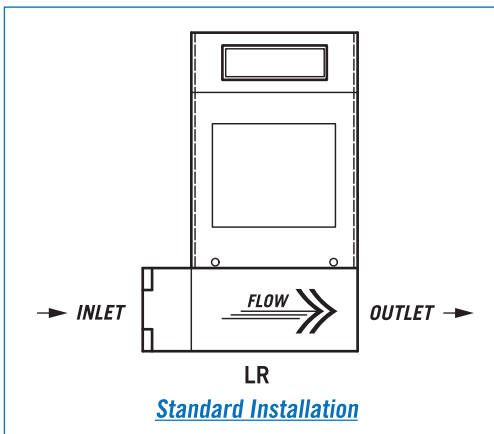
Code	SLM	ACCURACY
00	0-250	±1% F.S.
01	0-300	±1% F.S.
02	0-400	±1% F.S.
03	0-500	±1% F.S.
04	0-600	±2% F.S.
05	*Custom Flow Rate	

**NOTE.**  
\*Please notice that the max. flow rate is 600 SLM.

## Ordering Information

THF	Code	Flow Range										
	00	0~250 SLM										
	01	0~300 SLM										
	02	0~400 SLM										
	03	0~500 SLM										
	04	0~600 SLM										
	05	*Custom range (please directly fill in the requested range)										
	<table border="1"> <thead> <tr> <th>Code</th> <th colspan="3">Wetted Parts Material</th> </tr> </thead> <tbody> <tr> <td>A</td> <td>SS316 (Viton o-ring)</td> <td>B</td> <td>SS316 (FFKM o-ring)</td> <td>O</td> <td>option</td> </tr> </tbody> </table>			Code	Wetted Parts Material			A	SS316 (Viton o-ring)	B	SS316 (FFKM o-ring)	O
Code	Wetted Parts Material											
A	SS316 (Viton o-ring)	B	SS316 (FFKM o-ring)	O	option							
<table border="1"> <thead> <tr> <th>Code</th> <th>Process Connection</th> </tr> </thead> <tbody> <tr> <td>1</td> <td>½"NPT(F)</td> </tr> </tbody> </table>			Code	Process Connection	1	½"NPT(F)						
Code	Process Connection											
1	½"NPT(F)											
<table border="1"> <thead> <tr> <th>Code</th> <th>Display</th> </tr> </thead> <tbody> <tr> <td>W</td> <td>Flow Rate with LCD Display</td> </tr> <tr> <td>B</td> <td>Flow Rate with LCD Display &amp; Blue Back Lighted</td> </tr> <tr> <td>T</td> <td>Flow Rate with Totalizer LCD Display &amp; Blue Back Lighted</td> </tr> <tr> <td>O</td> <td>Without LCD Display</td> </tr> </tbody> </table>			Code	Display	W	Flow Rate with LCD Display	B	Flow Rate with LCD Display & Blue Back Lighted	T	Flow Rate with Totalizer LCD Display & Blue Back Lighted	O	Without LCD Display
Code	Display											
W	Flow Rate with LCD Display											
B	Flow Rate with LCD Display & Blue Back Lighted											
T	Flow Rate with Totalizer LCD Display & Blue Back Lighted											
O	Without LCD Display											
<table border="1"> <thead> <tr> <th>Code</th> <th>Output Signal</th> </tr> </thead> <tbody> <tr> <td></td> <td>(1) 0~5 VDC (2) 4~20mA</td> </tr> </tbody> </table>			Code	Output Signal		(1) 0~5 VDC (2) 4~20mA						
Code	Output Signal											
	(1) 0~5 VDC (2) 4~20mA											
<table border="1"> <thead> <tr> <th>Code</th> <th>Input Power</th> </tr> </thead> <tbody> <tr> <td></td> <td>(1) 24 VDC (2) 15 VDC</td> </tr> </tbody> </table>			Code	Input Power		(1) 24 VDC (2) 15 VDC						
Code	Input Power											
	(1) 24 VDC (2) 15 VDC											
<table border="1"> <thead> <tr> <th>Code</th> <th>Power Supply for 24 VDC</th> </tr> </thead> <tbody> <tr> <td></td> <td>(1) With (2) Without</td> </tr> </tbody> </table>			Code	Power Supply for 24 VDC		(1) With (2) Without						
Code	Power Supply for 24 VDC											
	(1) With (2) Without											
THF								Complete Ordering Code				

## Flow Direction



■ Please follow the direction of arrow "→" on the label to install.  
(As shown on the left is the standard installation.)

■ If customer requires "Vertical ↑ or ↓" installation, please contact with the manufacturer when place an order.