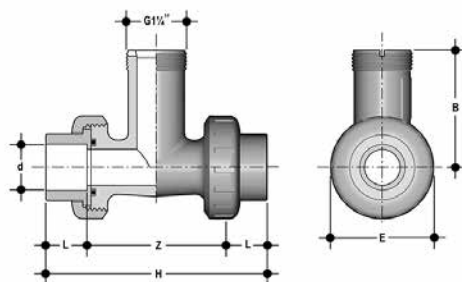
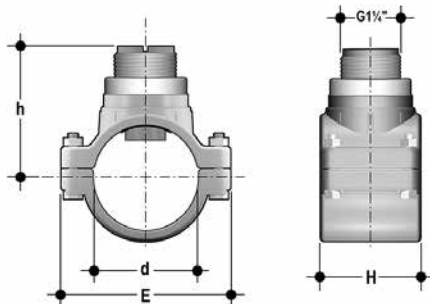


INSTALLAZIONE SU TUBI IN PVC


Raccordi a T in PVC serie ISO (attacchi femmina per incollaggio)

Codice	DN	d/R	O-ring	Corpo	H	Z	L	B	E	Lun- ghezza sensore	Idoneo per (*)
TFIV20B	15	20	EPDM	UPVC	113	81	16	73	53	L0	FeA
TFIV25B	20	25	EPDM	UPVC	126	88	19	8	62	L0	FeA
TFIV32B	25	32	EPDM	UPVC	139,5	95,5	22	81	71	L0	FeA
TFIV40B	32	40	EPDM	UPVC	170	118	26	84	84	L0	FeA
TFIV50B	40	50	EPDM	UPVC	199	137	31	82,5	98	L0	FeA
TFIV20D	15	20	FPM	UPVC	113	81	16	73	53	L0	FeA
TFIV25D	20	25	FPM	UPVC	126	88	19	8	62	L0	FeA
TFIV32D	25	32	FPM	UPVC	139,5	95,5	22	81	71	L0	FeA
TFIV40D	32	40	FPM	UPVC	170	118	26	84	84	L0	FeA
TFIV50D	40	50	FPM	UPVC	199	137	31	82,5	98	L0	FeA

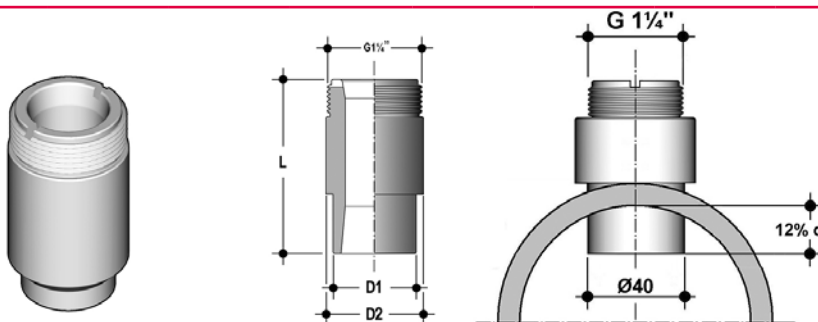

Prese a staffa serie ISO

Codice	DN	d/R	O-ring	Corpo	Inserto	H	E	H	Diametro foro (mm)	Lun- ghezza sensore	Idoneo per (*)
SVIC063BVC	50	63	EPDM	UPVC	CPVC	105	116	86,7	35	L0	FeA
SVIC075BVC	65	75	EPDM	UPVC	CPVC	105	134	90,8	35	L0	FeA
SVIC090BVC	80	90	EPDM	UPVC	CPVC	105	152	95,9	40	L0	FeA
SVIC110BVC	100	110	EPDM	UPVC	CPVC	105	176	102,8	40	L0	FeA
SVIC125BVC	110	125	EPDM	UPVC	CPVC	112	190	137,9	40	L1	F
SVIC140BVC	125	140	EPDM	UPVC	CPVC	114	214	143,1	40	L1	F
SVIC160BVC	150	160	EPDM	UPVC	CPVC	120	238	149,9	40	L1	F
SVIC200BVC	180	200	EPDM	UPVC	CPVC	133	300	163,7	40	L1	F
SVIC225BVC	200	225	EPDM	UPVC	CPVC	125	333	172,3	40	L1	F
SVIC063DVC	50	63	FPM	UPVC	CPVC	105	116	86,7	35	L0	FeA
SVIC075DVC	65	75	FPM	UPVC	CPVC	105	134	90,8	35	L0	FeA
SVIC090DVC	80	90	FPM	UPVC	CPVC	105	152	95,9	40	L0	FeA
SVIC110DVC	100	110	FPM	UPVC	CPVC	105	176	102,8	40	L0	FeA
SVIC125DVC	110	125	FPM	UPVC	CPVC	112	190	137,9	40	L1	F
SVIC140DVC	125	140	FPM	UPVC	CPVC	114	214	143,1	40	L1	F
SVIC160DVC	150	160	FPM	UPVC	CPVC	120	238	149,9	40	L1	F
SVIC200DVC	180	200	FPM	UPVC	CPVC	133	300	163,7	40	L1	F
SVIC225DVC	200	225	FPM	UPVC	CPVC	125	333	172,3	40	L1	F
SMIC250IVC*	225	250	NBR	PP	CPVC	79	324	203,5	40	L0	F
SMIC280IVC*	250	280	NBR	PP	CPVC	88	385	212,2	40	L1	F
SMIC315IVC*	280	315	NBR	PP	CPVC	88	385	220,1	40	L1	F

* Solo per monitor compatti o sensori IP68

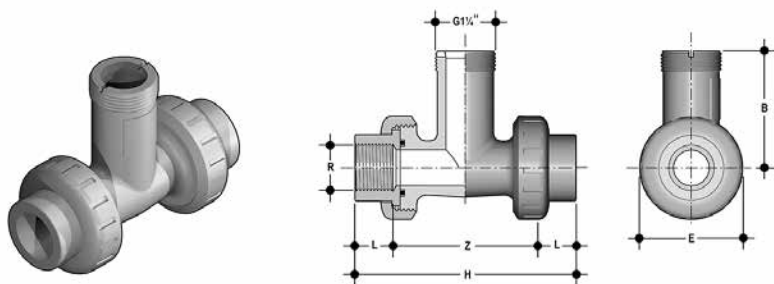
(*) Idoneo per: F = sensori di flusso; A = sensori analitici

INSTALLAZIONE SU TUBI IN PVC



Adattatori in PVC a saldare (la pressione massima dipende dalla qualità della saldatura)

Codice	DN	d/R	Filettatura GAS	Corpo	L	D1	D2	Diametro foro (mm)	Lunghezza sensore	Idoneo per (*)
WAIV063	50	63	1 1/4"	UPVC	68,5	40	50	40	L0	FeA
WAIV075	65	75	1 1/4"	UPVC	68,5	40	50	40	L0	FeA
WAIV090	80	90	1 1/4"	UPVC	68,5	40	50	40	L0	FeA
WAIV110	100	110	1 1/4"	UPVC	68,5	40	50	40	L0	FeA
WAIV125	110	125	1 1/4"	UPVC	68,5	40	50	40	L0	F
WAIV140	125	140	1 1/4"	UPVC	68,5	40	50	40	L0	F
WAIV160	150	160	1 1/4"	UPVC	68,5	40	50	40	L0	F
WAIV200	180	200	1 1/4"	UPVC	68,5	40	50	40	L0	F
WAIV225	200	225	1 1/4"	UPVC	68,5	40	50	40	L0	F
WAIV250	225	250	1 1/4"	UPVC	98,5	40	50	40	L1	F
WAIV280	250	280	1 1/4"	UPVC	98,5	40	50	40	L1	F
WAIV315	280	315	1 1/4"	UPVC	98,5	40	50	40	L1	F

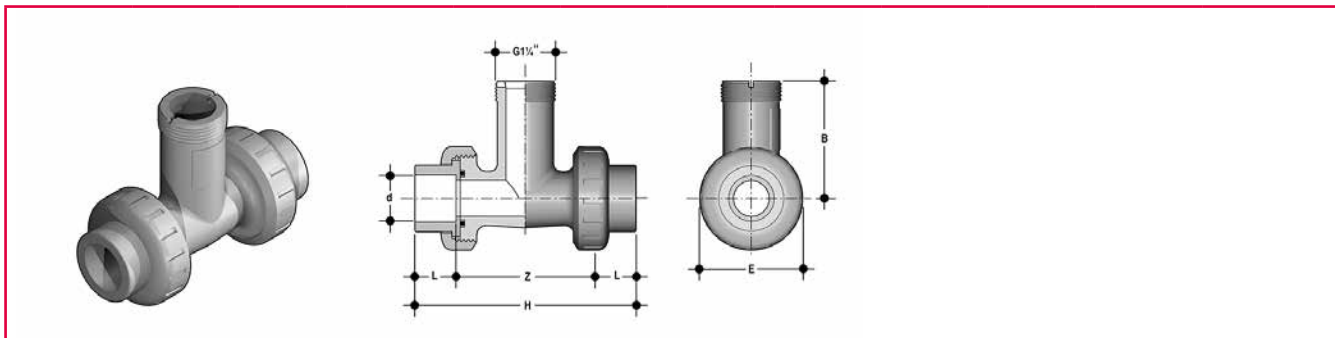


Raccordi a T in PVC serie BSP (attacchi femmina filettati GAS)

Codice	DN	d/R	O-ring	Corpo	H	Z	L	B	E	Lunghezza sensore	Idoneo per (*)
TFFV20B	15	1/2"	EPDM	UPVC	118,5	88,5	15	73	53	L0	FeA
TFFV25B	20	3/4"	EPDM	UPVC	127,5	94,9	16,3	80	62	L0	FeA
TFFV32B	25	1"	EPDM	UPVC	146	107,8	19,1	81	71	L0	FeA
TFFV40B	32	1 1/4"	EPDM	UPVC	177	134,2	21,4	84	84	L0	FeA
TFFV50B	40	1 1/2"	EPDM	UPVC	191	148,2	21,4	82,5	98	L0	FeA
TFFV20D	15	1/2"	FPM	UPVC	118,5	88,5	15	73	53	L0	FeA
TFFV25D	20	3/4"	FPM	UPVC	127,5	94,9	16,3	80	62	L0	FeA
TFFV32D	25	1"	FPM	UPVC	146	107,8	19,1	81	71	L0	FeA
TFFV40D	32	1 1/4"	FPM	UPVC	177	134,2	21,4	84	84	L0	FeA
TFFV50D	40	1 1/2"	FPM	UPVC	191	148,2	21,4	82,5	98	L0	FeA

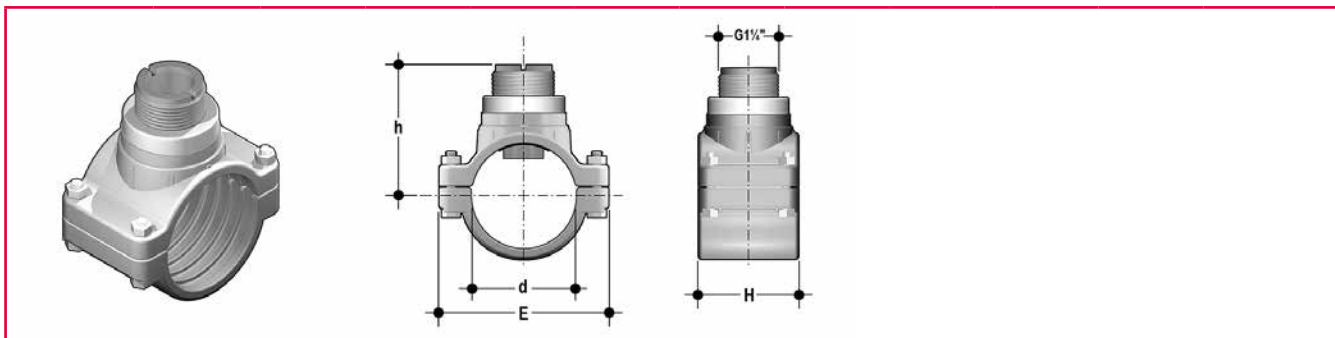
(*) Idoneo per: F = sensori di flusso; A = sensori analitici

INSTALLAZIONE SU TUBI IN PVC



Raccordi a T in PVC serie BS (attacchi femmina per incollaggio)

Codice	DN	d/R	O-ring	Corpo	H	Z	L	B	E	Lunghezza sensore	Idoneo per (*)
TFLV20B	15	1/2"	EPDM	UPVC	113	8	16,5	73	53	L0	FeA
TFLV25B	20	3/4"	EPDM	UPVC	126	88	19	80	62	L0	FeA
TFLV32B	25	1"	EPDM	UPVC	139,5	94,5	22,5	81	71	L0	FeA
TFLV40B	32	1 1/4"	EPDM	UPVC	17	118	26	84	84	L0	FeA
TFLV50B	40	1 1/2"	EPDM	UPVC	199	139	30	82,5	98	L0	FeA
TFLV20D	15	1/2"	FPM	UPVC	113	8	16,5	73	53	L0	FeA
TFLV25D	20	3/4"	FPM	UPVC	126	88	19	80	62	L0	FeA
TFLV32D	25	1"	FPM	UPVC	139,5	94,5	22,5	81	71	L0	FeA
TFLV40D	32	1 1/4"	FPM	UPVC	17	118	26	84	84	L0	FeA
TFLV50D	40	1 1/2"	FPM	UPVC	199	139	30	82,5	98	L0	FeA

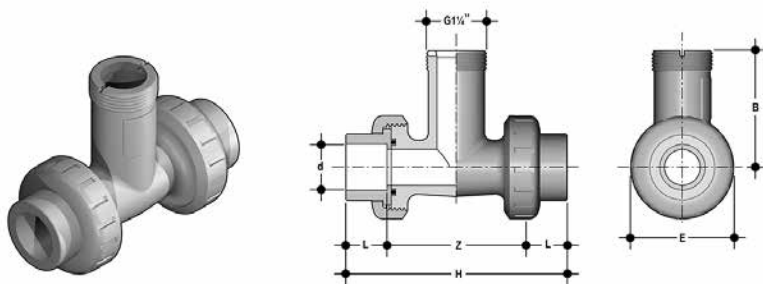


Prese a staffa serie BS

Codice	DN	d/R	O-ring	Corpo	Inserto	H	E	H	Diametro foro (mm)	Lunghezza sensore	Idoneo per (*)
SVLC2.0BVM	50	2"	EPDM	UPVC	CPVC	105	116	85,3	35	L0	FeA
SVLC3.0BVM	80	3"	EPDM	UPVC	CPVC	105	152	95,0	40	L0	FeA
SVLC4.0BVM	100	4"	EPDM	UPVC	CPVC	105	176	103,5	40	L0	FeA
SVLC6.0BVM	150	6"	EPDM	UPVC	CPVC	120	238	151,7	40	L1	F
SVLC8.0BVM	200	8"	EPDM	UPVC	CPVC	125	333	169,8	40	L1	F
SVLC2.0DVM	50	2"	FPM	UPVC	CPVC	105	116	85,3	35	L0	FeA
SVLC3.0DVM	80	3"	FPM	UPVC	CPVC	105	152	95,0	40	L0	FeA
SVLC4.0DVM	100	4"	FPM	UPVC	CPVC	105	176	103,5	40	L0	FeA
SVLC6.0DVM	150	6"	FPM	UPVC	CPVC	120	238	151,7	40	L1	F
SVLC8.0DVM	200	8"	FPM	UPVC	CPVC	125	333	169,8	40	L1	F

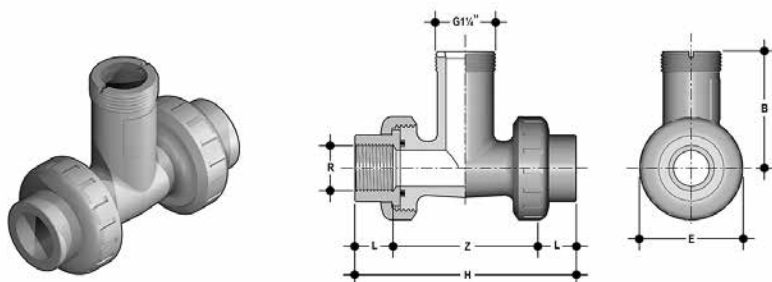
(*) Idoneo per: F = sensori di flusso; A = sensori analitici

INSTALLAZIONE SU TUBI IN PVC



Raccordi a T in PVC serie ASTM (attacchi femmina per incollaggio)

Codice	DN	d/R	O-ring	Corpo	H	Z	L	B	E	Lunghezza sensore	Idoneo per (*)
TFAV20B	15	1/2"	EPDM	UPVC	4,92"	3,15"	0,89"	2,87"	2,09"	L0	FeA
TFAV25B	20	3/4"	EPDM	UPVC	5,51"	3,50"	1,00"	3,15"	2,44"	L0	FeA
TFAV32B	25	1"	EPDM	UPVC	6,04"	3,78"	1,13"	3,19"	2,80"	L0	FeA
TFAV40B	32	1 1/4"	EPDM	UPVC	7,34"	4,80"	1,26"	3,31"	3,31"	L0	FeA
TFAV50B	40	1 1/2"	EPDM	UPVC	8,15"	5,39"	1,38"	3,25"	3,86"	L0	FeA
TFAV20D	15	1/2"	FPM	UPVC	4,92"	3,15"	0,89"	2,87"	2,09"	L0	FeA
TFAV25D	20	3/4"	FPM	UPVC	5,51"	3,50"	1,00"	3,15"	2,44"	L0	FeA
TFAV32D	25	1"	FPM	UPVC	6,04"	3,78"	1,13"	3,19"	2,80"	L0	FeA
TFAV40D	32	1 1/4"	FPM	UPVC	7,34"	4,80"	1,26"	3,31"	3,31"	L0	FeA
TFAV50D	40	1 1/2"	FPM	UPVC	8,15"	5,39"	1,38"	3,25"	3,86"	L0	FeA

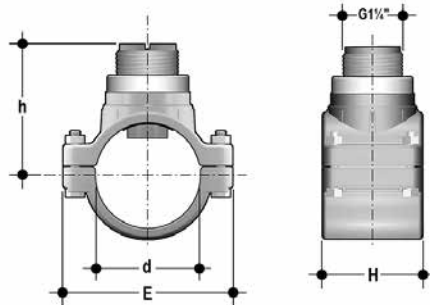


Raccordi a T in PVC serie NPT (attacchi femmina filettati NPT)

Codice	DN	d/R	O-ring	Corpo	H	Z	L	B	E	Lunghezza sensore	Idoneo per (*)
TFNV20B	15	1/2"	EPDM	UPVC	4,67"	3,26"	0,70"	2,87"	2,09"	L0	FeA
TFNV25B	20	3/4"	EPDM	UPVC	5,02"	3,60"	0,71"	3,15"	2,44"	L0	FeA
TFNV32B	25	1"	EPDM	UPVC	5,75"	3,97"	0,89"	3,19"	2,80"	L0	FeA
TFNV40B	32	1 1/4"	EPDM	UPVC	6,97"	5,12"	0,93"	3,31"	3,31"	L0	FeA
TFNV50B	40	1 1/2"	EPDM	UPVC	7,52"	5,28"	1,12"	3,25"	3,86"	L0	FeA
TFNV20D	15	1/2"	FPM	UPVC	4,67"	3,26"	0,70"	2,87"	2,09"	L0	FeA
TFNV25D	20	3/4"	FPM	UPVC	5,02"	3,60"	0,71"	3,15"	2,44"	L0	FeA
TFNV32D	25	1"	FPM	UPVC	5,75"	3,97"	0,89"	3,19"	2,80"	L0	FeA
TFNV40D	32	1 1/4"	FPM	UPVC	6,97"	5,12"	0,93"	3,31"	3,31"	L0	FeA
TFNV50D	40	1 1/2"	FPM	UPVC	7,52"	5,28"	1,12"	3,25"	3,86"	L0	FeA

(*) Idoneo per: F = sensori di flusso; A = sensori analitici

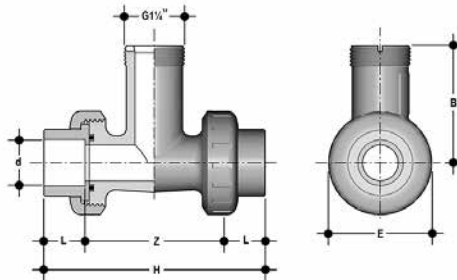
INSTALLAZIONE SU TUBI IN PVC



Prese a staffa ASTM

Codice	DN	d/R	O-ring	Corpo	Inserto	H	E	H	Diametro foro (mm)	Lunghezza sensore	Idoneo per (*)
SVAC2.0BVM	50	2"	EPDM	UPVC	CPVC	4,13"	4,57"	3,3"	1,38"	L0	FeA
SVAC2.5BVM	65	2 1/2"	EPDM	UPVC	CPVC	4,13"	5,28"	3,4"	1,38"	L0	FeA
SVAC3.0BVM	80	3"	EPDM	UPVC	CPVC	4,13"	5,98"	3,6"	1,57"	L0	FeA
SVAC4.0BVM	100	4"	EPDM	UPVC	CPVC	4,13"	6,93"	4,0"	1,57"	L0	FeA
SVAC5.0BVM	125	5"	EPDM	UPVC	CPVC	4,49"	8,43"	5,6"	1,57"	L1	F
SVAC6.0BVM	150	6"	EPDM	UPVC	CPVC	4,72"	9,37"	5,9"	1,57"	L1	F
SVAC8.0BVM	200	8"	EPDM	UPVC	CPVC	4,92"	13,11"	6,6"	1,57"	L1	F
SVAC2.0DVM	50	2"	FPM	UPVC	CPVC	4,13"	4,57"	3,3"	1,38"	L0	FeA
SVAC2.5DVM	65	2 1/2"	FPM	UPVC	CPVC	4,13"	5,28"	3,4"	1,38"	L0	FeA
SVAC3.0DVM	80	3"	FPM	UPVC	CPVC	4,13"	5,98"	3,6"	1,57"	L0	FeA
SVAC4.0DVM	100	4"	FPM	UPVC	CPVC	4,13"	6,93"	4,0"	1,57"	L0	FeA
SVAC5.0DVM	125	5"	FPM	UPVC	CPVC	4,49"	8,43"	5,6"	1,57"	L1	F
SVAC6.0DVM	150	6"	FPM	UPVC	CPVC	4,72"	9,37"	5,9"	1,57"	L1	F
SVAC8.0DVM	200	8"	FPM	UPVC	CPVC	4,92"	13,11"	6,6"	1,57"	L1	F

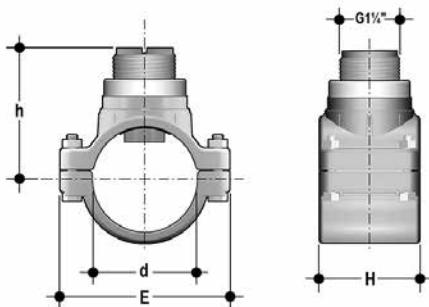
INSTALLAZIONE SU TUBI IN PVCC



Raccordi a T in PVCC serie ISO (attacchi femmina per incollaggio)

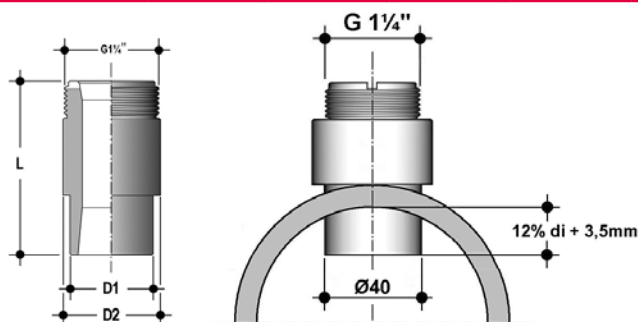
Codice	DN	d/R	O-ring	Corpo	H	Z	L	B	E	Lunghezza sensore	Idoneo per (*)
TFIC20B	15	20	EPDM	CPVC	113	81	16	73	53	L0	FeA
TFIC25B	20	25	EPDM	CPVC	126	88	19	80	62	L0	FeA
TFIC32B	25	32	EPDM	CPVC	139,5	95,5	22	81	71	L0	FeA
TFIC40B	32	40	EPDM	CPVC	170	118	26	84	84	L0	FeA
TFIC50B	40	50	EPDM	CPVC	199	137	31	82,5	98	L0	FeA
TFIC20D	15	20	FPM	CPVC	113	81	16	73	53	L0	FeA
TFIC25D	20	25	FPM	CPVC	126	88	19	80	62	L0	FeA
TFIC32D	25	32	FPM	CPVC	139,5	95,5	22	81	71	L0	FeA
TFIC40D	32	40	FPM	CPVC	170	118	26	84	84	L0	FeA
TFIC50D	40	50	FPM	CPVC	199	137	31	82,5	98	L0	FeA

(*) Idoneo per: F = sensori di flusso; A = sensori analitici

INSTALLAZIONE SU TUBI IN PVCC

Prese a staffa serie ISO

Codice	DN	d/R	O-ring	Corpo	Inserto	H	E	H	Diametro foro (mm)	Lunghezza sensore	Idoneo per (*)
SVIC063BVC	50	63	EPDM	UPVC	CPVC	105	116	86,7	35	L0	F e A
SVIC075BVC	65	75	EPDM	UPVC	CPVC	105	134	90,8	35	L0	F e A
SVIC090BVC	80	90	EPDM	UPVC	CPVC	105	152	95,9	40	L0	F e A
SVIC110BVC	100	110	EPDM	UPVC	CPVC	105	176	102,8	40	L0	F e A
SVIC125BVC	110	125	EPDM	UPVC	CPVC	112	190	137,9	40	L1	F
SVIC140BVC	125	140	EPDM	UPVC	CPVC	114	214	143,1	40	L1	F
SVIC160BVC	150	160	EPDM	UPVC	CPVC	120	238	149,9	40	L1	F
SVIC200BVC	180	200	EPDM	UPVC	CPVC	133	300	163,7	40	L1	F
SVIC225BVC	200	225	EPDM	UPVC	CPVC	125	333	172,3	40	L1	F
SVIC063DVC	50	63	FPM	UPVC	CPVC	105	116	86,7	35	L0	F e A
SVIC075DVC	65	75	FPM	UPVC	CPVC	105	134	90,8	35	L0	F e A
SVIC090DVC	80	90	FPM	UPVC	CPVC	105	152	95,9	40	L0	F e A
SVIC110DVC	100	110	FPM	UPVC	CPVC	105	176	102,8	40	L0	F e A
SVIC125DVC	110	125	FPM	UPVC	CPVC	112	190	137,9	40	L1	F
SVIC140DVC	125	140	FPM	UPVC	CPVC	114	214	143,1	40	L1	F
SVIC160DVC	150	160	FPM	UPVC	CPVC	120	238	149,9	40	L1	F
SVIC200DVC	180	200	FPM	UPVC	CPVC	133	300	163,7	40	L1	F
SVIC225DVC	200	225	FPM	UPVC	CPVC	125	333	172,3	40	L1	F
SMIC250IVC*	225	250	NBR	PP	CPVC	79	324	203,5	40	L0	F
SMIC280IVC*	250	280	NBR	PP	CPVC	88	385	212,2	40	L1	F
SMIC315IVC*	280	315	NBR	PP	CPVC	88	385	220,1	40	L1	F

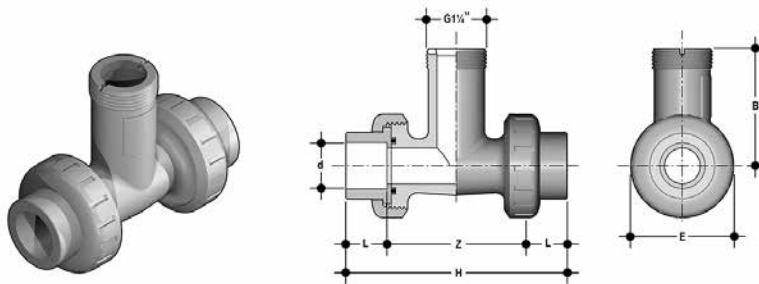
* Solo per monitor compatti o sensori IP68


Adattatori PVCC a saldare (la massima pressione dipende dalla qualità della saldatura)

Codice	DN	d/R	Filettatura GAS	Corpo	L	D1	D2	Diametro foro (mm)	Lunghezza sensore	Idoneo per (*)
WAIC063	50	63	1 1/4"	CPVC	68,5	40	5	40	L0	F e A
WAIC075	65	75	1 1/4"	CPVC	68,5	40	5	40	L0	F e A
WAIC090	80	90	1 1/4"	CPVC	68,5	40	5	40	L0	F e A
WAIC110	100	110	1 1/4"	CPVC	68,5	40	5	40	L0	F e A
WAIC125	110	125	1 1/4"	CPVC	68,5	40	5	40	L0	F
WAIC140	125	140	1 1/4"	CPVC	68,5	40	5	40	L0	F
WAIC160	150	160	1 1/4"	CPVC	68,5	40	5	40	L0	F
WAIC200	180	200	1 1/4"	CPVC	68,5	40	5	40	L0	F
WAIC225	200	225	1 1/4"	CPVC	68,5	40	5	40	L0	F
WAIC250	225	250	1 1/4"	CPVC	98,5	40	5	40	L1	F
WAIC280	250	280	1 1/4"	CPVC	98,5	40	5	40	L1	F
WAIC315	300	315	1 1/4"	CPVC	98,5	40	5	40	L1	F

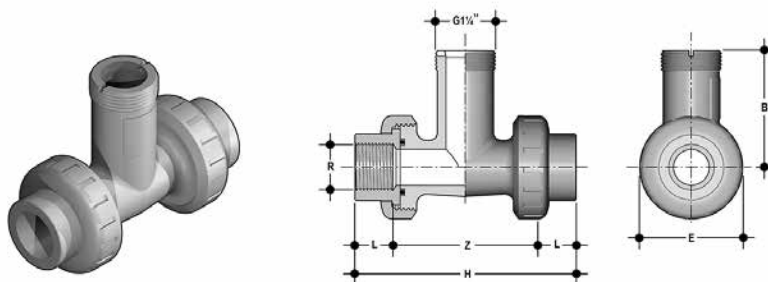
(*) Idoneo per: F = sensori di flusso; A = sensori analitici

INSTALLAZIONE SU TUBI IN PP



Raccordi a T in PP serie ISO (attacchi femmina per saldatura nel bicchiere)

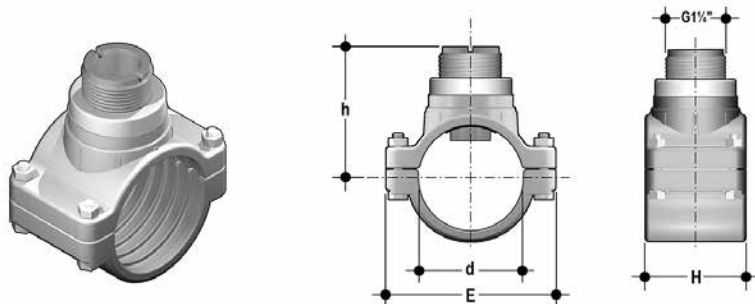
Codice	DN	d/R	O-ring	Corpo	H	Z	L	B	E	Lunghezza sensore	Idoneo per (*)
TFIM20B	15	20	EPDM	PP	111	73	14,5	73	53	L0	FeA
TFIM25B	20	25	EPDM	PP	120,5	80	16	80	62	L0	FeA
TFIM32B	25	32	EPDM	PP	133,5	81	18	81	71	L0	FeA
TFIM40B	32	40	EPDM	PP	163,5	84	20,5	84	84	L0	FeA
TFIM50B	40	50	EPDM	PP	195	82,5	23,5	82,5	98	L0	FeA
TFIM20D	15	20	FPM	PP	111	73	14,5	73	53	L0	FeA
TFIM25D	20	25	FPM	PP	120,5	80	16	80	62	L0	FeA
TFIM32D	25	32	FPM	PP	133,5	81	18	81	71	L0	FeA
TFIM40D	32	40	FPM	PP	163,5	84	20,5	84	84	L0	FeA
TFIM50D	40	50	FPM	PP	195	82,5	23,5	82,5	98	L0	FeA



Raccordi a T in PPH serie BSP (attacchi femmina filettati GAS)

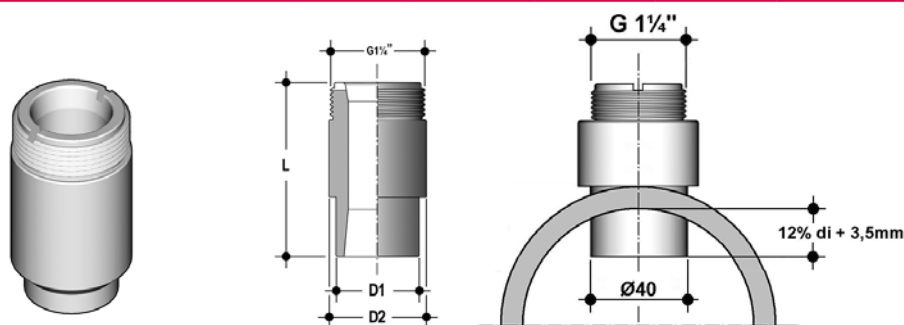
Codice	DN	d/R	O-ring	Corpo	H	Z	L	B	E	Lunghezza sensore	Idoneo per (*)
TFFM20B	15	1/2"	EPDM	PP	113	83	15	73	53	L0	FeA
TFFM25B	20	3/4"	EPDM	PP	126	93,4	16,3	80	62	L0	FeA
TFFM32B	25	1"	EPDM	PP	139,5	101,3	19,1	81	71	L0	FeA
TFFM40B	32	1 1/4"	EPDM	PP	17	127,2	21,4	84	84	L0	FeA
TFFM50B	40	1 1/2"	EPDM	PP	199	156,2	21,4	82,5	98	L0	FeA
TFFM20D	15	1/2"	FPM	PP	113	83	15	73	53	L0	FeA
TFFM25D	20	3/4"	FPM	PP	126	93,4	16,3	80	62	L0	FeA
TFFM32D	25	1"	FPM	PP	139,5	101,3	19,1	81	71	L0	FeA
TFFM40D	32	1 1/4"	FPM	PP	17	127,2	21,4	84	84	L0	FeA
TFFM50D	40	1 1/2"	FPM	PP	199	156,2	21,4	82,5	98	L0	FeA

(*) Idoneo per: F = sensori di flusso; A = sensori analitici

INSTALLAZIONE SU TUBI IN PP

Prese a staffa serie ISO

Codice	DN	d/R	O-ring	Corpo	Inserito	H	E	H	Diametro foro (mm)	Lunghezza sensore	Idoneo per (*)
SVIC063BME	50	63	EPDM	UPVC	CPVC**	105	116	84,3	35	L0	F e A
SVIC075BME	65	75	EPDM	UPVC	CPVC**	105	134	88	35	L0	F e A
SVIC090BME	80	90	EPDM	UPVC	CPVC**	105	152	92,6	4	L0	F e A
SVIC110BME	100	110	EPDM	UPVC	CPVC**	105	176	98,8	40	L0	F e A
SVIC125BME	110	125	EPDM	UPVC	CPVC**	112	190	133,3	40	L1	F
SVIC140BME	125	140	EPDM	UPVC	CPVC**	114	214	138,0	40	L1	F
SVIC160BME	150	160	EPDM	UPVC	CPVC**	120	238	144,1	40	L1	F
SVIC200BME	180	200	EPDM	UPVC	CPVC**	133	300	156,4	40	L1	F
SVIC225BME	200	225	EPDM	UPVC	CPVC**	125	333	164,1	40	L1	F
SVIC063DME	50	63	FPM	UPVC	CPVC**	105	116	84,3	35	L0	F e A
SVIC075DME	65	75	FPM	UPVC	CPVC**	105	134	88	35	L0	F e A
SVIC090DME	80	90	FPM	UPVC	CPVC**	105	152	92,6	4	L0	F e A
SVIC110DME	100	110	FPM	UPVC	CPVC**	105	176	98,8	40	L0	F e A
SVIC125DME	110	125	FPM	UPVC	CPVC**	112	190	133,3	40	L1	F
SVIC140DME	125	140	FPM	UPVC	CPVC**	114	214	138,0	40	L1	F
SVIC160DME	150	160	FPM	UPVC	CPVC**	120	238	144,1	40	L1	F
SVIC200DME	180	200	FPM	UPVC	CPVC**	133	300	156,4	40	L1	F
SVIC225DME	200	225	FPM	UPVC	CPVC**	125	333	164,1	40	L1	F
SMIC250IME*	225	250	NBR	PP	CPVC**	79	324	189,9	40	L0	F
SMIC280IME*	250	280	NBR	PP	CPVC**	88	385	200,2	40	L1	F
SMIC315IME*	300	315	NBR	PP	CPVC**	88	385	209,3	40	L1	F

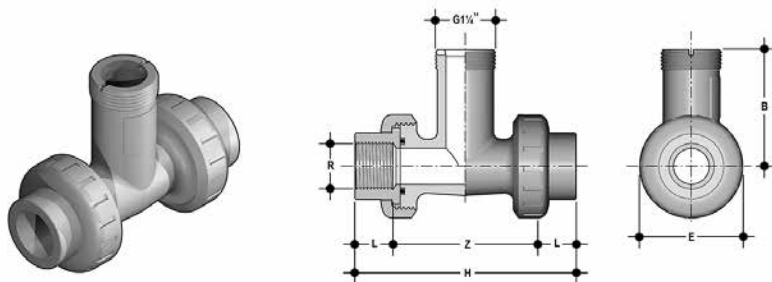
* Solo per monitor compatti o sensori IP68 ** Inserito in PVDF disponibile a richiesta


Adattatore in PP a saldare (la massima pressione dipende dalla qualità della saldatura)

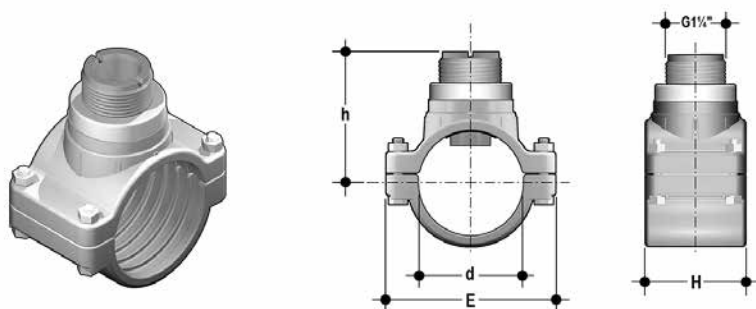
Codice	DN	d/R	Filettatura GAS	Corpo	L	D1	D2	Diametro foro (mm)	Lunghezza sensore	Idoneo per (*)
WAIM063	50	63	1 1/4"	PP	68,5	40	50	40	L0	F e A
WAIM075	65	75	1 1/4"	PP	68,5	40	50	40	L0	F e A
WAIM090	80	90	1 1/4"	PP	68,5	40	50	40	L0	F e A
WAIM110	100	110	1 1/4"	PP	68,5	40	50	40	L0	F e A
WAIM125	110	125	1 1/4"	PP	68,5	40	50	40	L0	F
WAIM140	125	140	1 1/4"	PP	68,5	40	50	40	L0	F
WAIM160	150	160	1 1/4"	PP	68,5	40	50	40	L0	F
WAIM200	180	200	1 1/4"	PP	98,5	40	50	40	L1	F
WAIM225	200	225	1 1/4"	PP	98,5	40	50	40	L1	F
WAIM250	225	250	1 1/4"	PP	98,5	40	50	40	L1	F
WAIM280	250	280	1 1/4"	PP	98,5	40	50	40	L1	F
WAIM315	300	315	1 1/4"	PP	98,5	40	50	40	L1	F

(*) Idoneo per: F = sensori di flusso; A = sensori analitici

INSTALLAZIONE SU TUBI IN PP


Raccordi a T in PP serie NPT (attacchi femmina con filettatura NPT)

Codice	DN	d/R	O-ring	Corpo	H	Z	L	B	E	Lunghezza sensore	Idoneo per (*)
TFNM20B	15	1/2"	EPDM	PP	4,45"	3,05"	0,70"	2,87"	2,09"	L0	FeA
TFNM25B	20	3/4"	EPDM	PP	4,96"	3,54"	0,71"	3,15"	2,44"	L0	FeA
TFNM32B	25	1"	EPDM	PP	5,49"	3,71"	0,89"	3,19"	2,80"	L0	FeA
TFNM40B	32	1 1/4"	EPDM	PP	6,69"	4,84"	0,93"	3,31"	3,31"	L0	FeA
TFNM50B	40	1 1/2"	EPDM	PP	7,83"	5,59"	1,12"	3,25"	3,86"	L0	FeA
TFNM20D	15	1/2"	FPM	PP	4,45"	3,05"	0,70"	2,87"	2,09"	L0	FeA
TFNM25D	20	3/4"	FPM	PP	4,96"	3,54"	0,71"	3,15"	2,44"	L0	FeA
TFNM32D	25	1"	FPM	PP	5,49"	3,71"	0,89"	3,19"	2,80"	L0	FeA
TFNM40D	32	1 1/4"	FPM	PP	6,69"	4,84"	0,93"	3,31"	3,31"	L0	FeA
TFNM50D	40	1 1/2"	FPM	PP	7,83"	5,59"	1,12"	3,25"	3,86"	L0	FeA

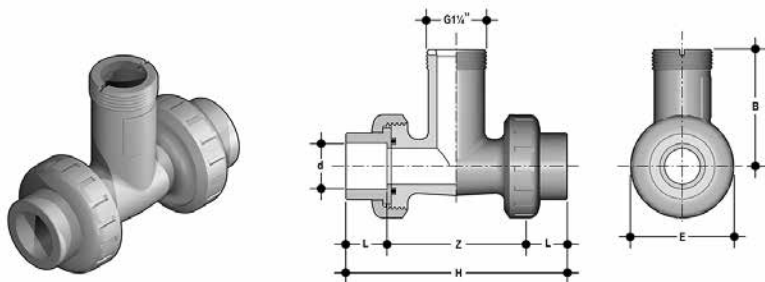

Prese a staffa serie ASTM

Codice	DN	d/R	O-ring	Corpo	Inserto	H	E	H	Diametro foro (mm)	Lunghezza sensore	Idoneo per (*)
SVAC2.0BVM	50	2"	EPDM	UPVC	CPVC**	4,13"	4,57"	3,29"	1,38"	L0	FeA
SVAC2.5BVM	65	2 1/2"	EPDM	UPVC	CPVC**	4,13"	5,28"	3,43"	1,38"	L0	FeA
SVAC3.0BVM	80	3"	EPDM	UPVC	CPVC**	4,13"	5,98"	3,65"	1,57"	L0	FeA
SVAC4.0BVM	100	4"	EPDM	UPVC	CPVC**	4,13"	6,93"	4,00"	1,57"	L0	FeA
SVAC5.0BVM	125	5"	EPDM	UPVC	CPVC**	4,49"	8,43"	5,55"	1,57"	L1	F
SVAC6.0BVM	150	6"	EPDM	UPVC	CPVC**	4,72"	9,37"	5,91"	1,57"	L1	F
SVAC8.0BVM	200	8"	EPDM	UPVC	CPVC**	4,92"	13,11"	6,61"	1,57"	L1	F
SVAC2.0DVM	50	2"	FPM	UPVC	CPVC**	4,13"	4,57"	3,29"	1,38"	L0	FeA
SVAC2.5DVM	65	2 1/2"	FPM	UPVC	CPVC**	4,13"	5,28"	3,43"	1,38"	L0	FeA
SVAC3.0DVM	80	3"	FPM	UPVC	CPVC**	4,13"	5,98"	3,65"	1,57"	L0	FeA
SVAC4.0DVM	100	4"	FPM	UPVC	CPVC**	4,13"	6,93"	4,00"	1,57"	L0	FeA
SVAC5.0DVM	125	5"	FPM	UPVC	CPVC**	4,49"	8,43"	5,55"	1,57"	L1	F
SVAC6.0DVM	150	6"	FPM	UPVC	CPVC**	4,72"	9,37"	5,91"	1,57"	L1	F
SVAC8.0DVM	200	8"	FPM	UPVC	CPVC**	4,92"	13,11"	6,61"	1,57"	L1	F

** Inserto in PVDF disponibile a richiesta

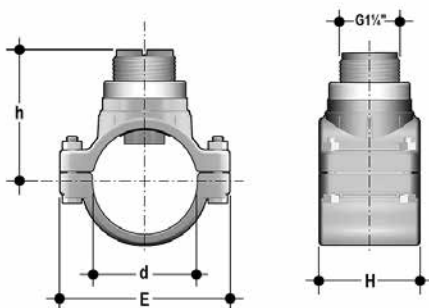
(*) Idoneo per: F = sensori di flusso; A = sensori analitici

INSTALLAZIONE SU TUBI IN PVDF



Raccordi a T in PVDF serie ISO (attacchi femmina per saldatura nel bicchiere)

Codice	DN	d/R	O-ring	Corpo	H	Z	L	B	E	Lunghezza sensore	Idoneo per (*)
TFIF20B	15	20	EPDM	PVDF	111	82	14,5	73	53	L0	FeA
TFIF25B	20	25	EPDM	PVDF	120,5	88,5	16	80	62	L0	FeA
TFIF32B	25	32	EPDM	PVDF	133,5	97	18	81	71	L0	FeA
TFIF40B	32	40	EPDM	PVDF	161,5	120,5	20,5	84	84	L0	FeA
TFIF50B	40	50	EPDM	PVDF	193,5	146,5	23,5	82,5	98	L0	FeA
TFIF20D	15	20	FPM	PVDF	111	82	14,5	73	53	L0	FeA
TFIF25D	20	25	FPM	PVDF	120,5	88,5	16	80	62	L0	FeA
TFIF32D	25	32	FPM	PVDF	133,5	97	18	81	71	L0	FeA
TFIF40D	32	40	FPM	PVDF	161,5	120,5	20,5	84	84	L0	FeA
TFIF50D	40	50	FPM	PVDF	193,5	146,5	23,5	82,5	98	L0	FeA

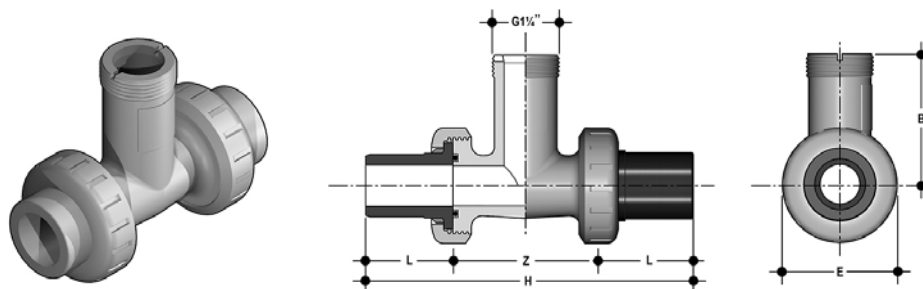


Prese a staffa serie ISO

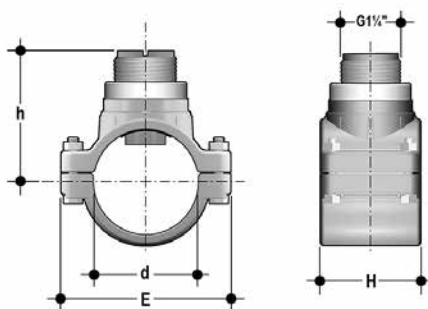
Codice	DN	d/R	O-ring	Corpo	Inserto	H	E	H	Diametro foro (mm)	Lunghezza sensore	Idoneo per (*)
SVIF063BF	50	63	EPDM	UPVC	PVDF	105	116	87,2	35	L0	FeA
SVIF075BF	65	75	EPDM	UPVC	PVDF	105	134	91,5	35	L0	FeA
SVIF090BF	80	90	EPDM	UPVC	PVDF	105	152	96,8	40	L0	FeA
SVIF110BF	100	110	EPDM	UPVC	PVDF	105	176	104,0	40	L0	FeA
SVIF125BF	110	125	EPDM	UPVC	PVDF	112	190	139,3	40	L1	F
SVIF140BF	125	140	EPDM	UPVC	PVDF	114	214	144,6	40	L1	F
SVIF160BF	150	160	EPDM	UPVC	PVDF	120	238	151,8	40	L1	F
SVIF200BF	180	200	EPDM	UPVC	PVDF	133	300	165,9	40	L1	F
SVIF225BF	200	225	EPDM	UPVC	PVDF	125	333	174,9	40	L1	F
SVIF063DF	50	63	FPM	UPVC	PVDF	105	116	87,2	35	L0	FeA
SVIF075DF	65	75	FPM	UPVC	PVDF	105	134	91,5	35	L0	FeA
SVIF090DF	80	90	FPM	UPVC	PVDF	105	152	96,8	40	L0	FeA
SVIF110DF	100	110	FPM	UPVC	PVDF	105	176	104,0	40	L0	FeA
SVIF125DF	110	125	FPM	UPVC	PVDF	112	190	139,3	40	L1	F
SVIF140DF	125	140	FPM	UPVC	PVDF	114	214	144,6	40	L1	F
SVIF160DF	150	160	FPM	UPVC	PVDF	120	238	151,8	40	L1	F
SVIF200DF	180	200	FPM	UPVC	PVDF	133	300	165,9	40	L1	F
SVIF225DF	200	225	FPM	UPVC	PVDF	125	333	174,9	40	L1	F

(*) Idoneo per: F = sensori di flusso; A = sensori analitici

INSTALLAZIONE SU TUBI IN PE


Raccordi a T in PVC serie ISO (attacchi in PE per saldatura testa a testa)

Codice	DN	d/R	O-ring	Corpo	H	Z	L	B	E	Lunghezza sensore	Idoneo per (*)
TFIV20BE	15	20	EPDM	UPVC	183	73	55	73	53	L0	FeA
TFIV25BE	20	25	EPDM	UPVC	223	83	70	80	62	L0	FeA
TFIV32BE	25	32	EPDM	UPVC	237	89	74	81	71	L0	FeA
TFIV40BE	32	40	EPDM	UPVC	266	110	78	84	84	L0	FeA
TFIV50BE	40	50	EPDM	UPVC	295	127	84	82,5	98	L0	FeA
TFIV20DE	15	20	FPM	UPVC	183	73	55	73	53	L0	FeA
TFIV25DE	20	25	FPM	UPVC	223	83	70	80	62	L0	FeA
TFIV32DE	25	32	FPM	UPVC	237	89	74	81	71	L0	FeA
TFIV40DE	32	40	FPM	UPVC	266	110	78	84	84	L0	FeA
TFIV50DE	40	50	FPM	UPVC	295	127	84	82,5	98	L0	FeA

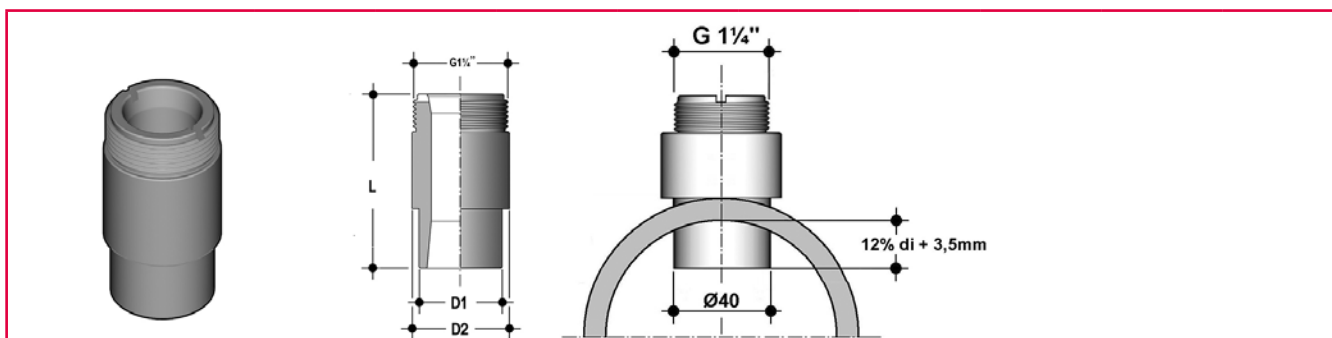

Prese a staffa serie ISO

Codice	DN	d/R	O-ring	Corpo	Inserito	H	E	H	Diametro foro (mm)	Lunghezza sensore	Idoneo per (*)
SVIC063BME	50	63	EPDM	UPVC	CPVC	105	116	84,3	35	L0	FeA
SVIC075BME	65	75	EPDM	UPVC	CPVC	105	134	88	35	L0	FeA
SVIC090BME	80	90	EPDM	UPVC	CPVC	105	152	92,6	4	L0	FeA
SVIC110BME	100	110	EPDM	UPVC	CPVC	105	176	98,8	40	L0	FeA
SVIC125BME	110	125	EPDM	UPVC	CPVC	112	190	133,3	40	L1	F
SVIC140BME	125	140	EPDM	UPVC	CPVC	114	214	138,0	40	L1	F
SVIC160BME	150	160	EPDM	UPVC	CPVC	120	238	144,1	40	L1	F
SVIC200BME	180	200	EPDM	UPVC	CPVC	133	300	156,4	40	L1	F
SVIC225BME	200	225	EPDM	UPVC	CPVC	125	333	164,1	40	L1	F
SVIC063DME	50	63	FPM	UPVC	CPVC	105	116	84,3	35	L0	FeA
SVIC075DME	65	75	FPM	UPVC	CPVC	105	134	88	35	L0	FeA
SVIC090DME	80	90	FPM	UPVC	CPVC	105	152	92,6	4	L0	FeA
SVIC110DME	100	110	FPM	UPVC	CPVC	105	176	98,8	40	L0	FeA
SVIC125DME	110	125	FPM	UPVC	CPVC	112	190	133,3	40	L1	F
SVIC140DME	125	140	FPM	UPVC	CPVC	114	214	138,0	40	L1	F
SVIC160DME	150	160	FPM	UPVC	CPVC	120	238	144,1	40	L1	F
SVIC200DME	180	200	FPM	UPVC	CPVC	133	300	156,4	40	L1	F
SVIC225DME	200	225	FPM	UPVC	CPVC	125	333	164,1	40	L1	F
SMIC250IME*	225	250	NBR	PP	CPVC	79	324	189,9	40	L0	F
SMIC280IME*	250	280	NBR	PP	CPVC	88	385	200,2	40	L1	F
SMIC315IME*	300	315	NBR	PP	CPVC	88	385	209,3	40	L1	F

* Solo per monitor compatti o sensori IP68

(*) Idoneo per: F = sensori di flusso; A = sensori analitici

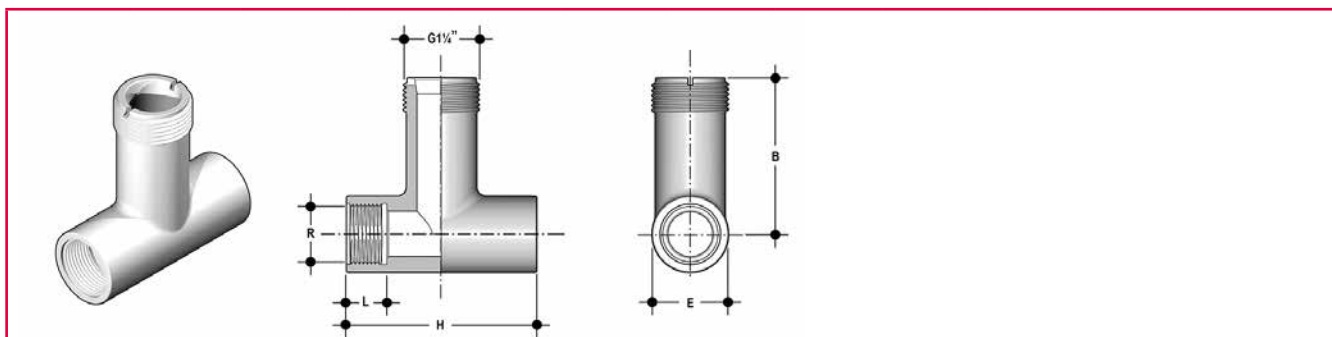
INSTALLAZIONE SU TUBI IN PE



Adattatori in PE a saldare (la massima pressione dipende dalla qualità della saldatura)

Codice	DN	d/R	Filettatura GAS	Corpo	L	D1	D2	Diametro foro (mm)	Lunghezza sensore	Idoneo per (*)
WAIE063	50	63	1 1/4"	PE	68,5	40	50	40	L0	F e A
WAIE075	65	75	1 1/4"	PE	68,5	40	50	40	L0	F e A
WAIE090	80	90	1 1/4"	PE	68,5	40	50	40	L0	F e A
WAIE110	100	110	1 1/4"	PE	68,5	40	50	40	L0	F e A
WAIE125	110	125	1 1/4"	PE	68,5	40	50	40	L0	F
WAIE140	125	140	1 1/4"	PE	68,5	40	50	40	L0	F
WAIE160	150	160	1 1/4"	PE	68,5	40	50	40	L0	F
WAIE200	180	200	1 1/4"	PE	98,5	40	50	40	L1	F
WAIE225	200	225	1 1/4"	PE	98,5	40	50	40	L1	F
WAIE250	225	250	1 1/4"	PE	98,5	40	50	40	L1	F
WAIE280	250	280	1 1/4"	PE	98,5	40	50	40	L1	F
WAIE315	300	315	1 1/4"	PE	98,5	40	50	40	L1	F

INSTALLAZIONE SU TUBI METALLICI

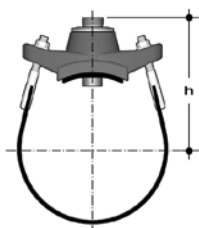


Raccordi a T in acciaio inox AISI 316 serie BSP (attacchi femmina con filettatura GAS)

Codice	DN	d/R	O-ring	Corpo	H	Z	L	B	E	Lunghezza sensore	Idoneo per (*)
TFFX20	15	1/2"	-	Acciaio inox AISI 316	85	-	16	73	42	L0	F e A
TFFX25	20	3/4"	-	Acciaio inox AISI 316	95	-	20	81,2	42	L0	F e A
TFFX32	25	1"	-	Acciaio inox AISI 316	105	-	22,5	81,2	42	L0	F e A
TFFX40	32	1 1/4"	-	Acciaio inox AISI 316	12	-	20,5	83,8	54	L0	F e A

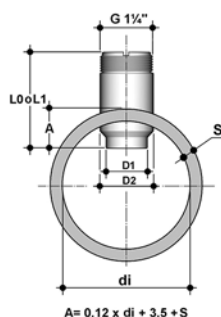
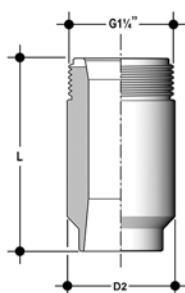
(*) Idoneo per: F = sensori di flusso; A = sensori analitici

INSTALLAZIONE SU TUBI METALLICI



Collari di presa con cinghia

Codice	DN	D.E. min	D.E. max	Filettatura GAS	O-ring	Corpo	Inserto	H	Diametro foro (mm)	Lunghezza sensore	Idoneo per (*)
SZIC080I	80	88	104	1 1/4"	NBR	Ghisa + acciaio inox	CPVC	153	40	L0	F
SZIC100I	100	112	126	1 1/4"	NBR	Ghisa + acciaio inox	CPVC	160	40	L0	F
SZIC125I	125	140	154	1 1/4"	NBR	Ghisa + acciaio inox	CPVC	170	40	L0	F
SZIC150I	150	168	184	1 1/4"	NBR	Ghisa + acciaio inox	CPVC	180	40	L0	F
SZIC200I	200	218	244	1 1/4"	NBR	Ghisa + acciaio inox	CPVC	228	40	L1	F
SZIC250I	250	272	295	1 1/4"	NBR	Ghisa + acciaio inox	CPVC	247	40	L1	F
SZIC300I	300	322	354	1 1/4"	NBR	Ghisa + acciaio inox	CPVC	266	40	L1	F
SZIC350I	350	356	414	1 1/4"	NBR	Ghisa + acciaio inox	CPVC	305	40	L1	F
SZIC400I	400	406	472	1 1/4"	NBR	Ghisa + acciaio inox	CPVC	324	40	L1	F
SZIC450I	450	457	534	1 1/4"	NBR	Ghisa + acciaio inox	CPVC	343	40	L1	F



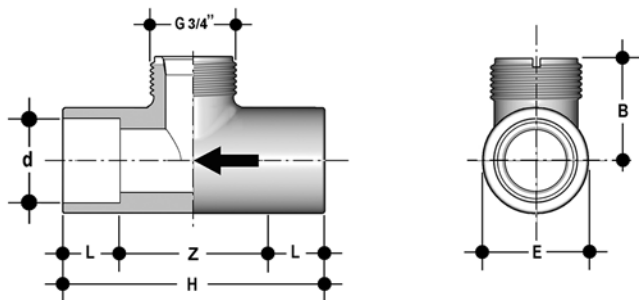
$$A = 0.12 \times di + 3.5 + S$$

Adattatori a saldare in acciaio inox 316L

Codice	DN	d/R	Filettatura GAS	Corpo	L	D1	D2	Diametro foro (mm)	Lunghezza sensore	Idoneo per (*)
WAIXL0	40	-	1 1/4"	Acciaio inox AISI 316L	68,5	33,9	34	34	L0	FeA
WAIXL0	50	-	1 1/4"	Acciaio inox AISI 316L	68,5	33,9	44	44	L0	FeA
WAIXL0	60	-	1 1/4"	Acciaio inox AISI 316L	68,5	33,9	44	44	L0	FeA
WAIXL0	65	-	1 1/4"	Acciaio inox AISI 316L	68,5	33,9	44	44	L0	FeA
WAIXL0	80	-	1 1/4"	Acciaio inox AISI 316L	68,5	33,9	44	44	L0	FeA
WAIXL0	100	-	1 1/4"	Acciaio inox AISI 316L	68,5	33,9	44	44	L0	FeA
WAIXL0	110	-	1 1/4"	Acciaio inox AISI 316L	68,5	33,9	44	44	L0	FeA
WAIXL0	125	-	1 1/4"	Acciaio inox AISI 316L	68,5	33,9	44	44	L0	F
WAIXL0	150	-	1 1/4"	Acciaio inox AISI 316L	68,5	33,9	44	44	L0	F
WAIXL0	175	-	1 1/4"	Acciaio inox AISI 316L	68,5	33,9	44	44	L0	F
WAIXL0	200	-	1 1/4"	Acciaio inox AISI 316L	68,5	33,9	44	44	L0	F
WAIXL0	225	-	1 1/4"	Acciaio inox AISI 316L	68,5	33,9	44	44	L1	F
WAIXL1	250	-	1 1/4"	Acciaio inox AISI 316L	98,5	33,9	44	44	L1	F
WAIXL1	300	-	1 1/4"	Acciaio inox AISI 316L	98,5	33,9	44	44	L1	F
WAIXL1	350	-	1 1/4"	Acciaio inox AISI 316L	98,5	33,9	44	44	L1	F
WAIXL1	400	-	1 1/4"	Acciaio inox AISI 316L	98,5	33,9	44	44	L1	F
WAIXL1	450	-	1 1/4"	Acciaio inox AISI 316L	98,5	33,9	44	44	L1	F
WAIXL1	500	-	1 1/4"	Acciaio inox AISI 316L	98,5	33,9	44	44	L1	F
WAIXL1	600	-	1 1/4"	Acciaio inox AISI 316L	98,5	33,9	44	44	L1	F

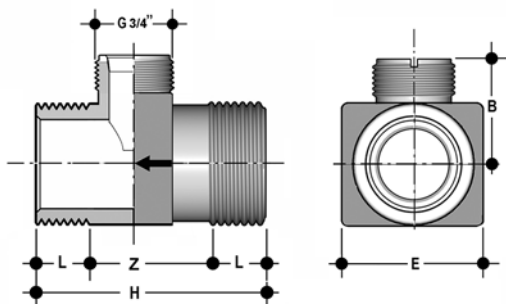
(*) Idoneo per: F = sensori di flusso; A = sensori analitici

ADATTATORI DI INSTALLAZIONE PER FLS F3.10



Raccordi a T in PVC serie ISO (attacchi femmina per incollaggio)

Codice	DN	d/R	O-ring	Corpo	H	Z	L	B	E	Lunghezza sensore	Idoneo per (*)
TMIV20MF	15	20	-	UPVC	43	11	16	27	27	-	F
TMIV25MF	20	25	-	UPVC	52	14	19	30	33	-	F
TMIV32MF	25	32	-	UPVC	61,5	17,5	22	33,5	41	-	F
TMIV40MF	32	40	-	UPVC	74	22	26	38	50	-	F
TMIV50MF	40	50	-	UPVC	89	27	31	43	61	-	F

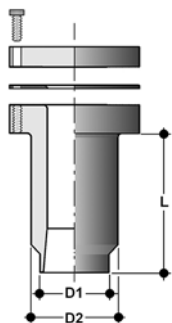


Raccordi a T in ottone serie ISO (attacchi maschio con filettatura 1 1/4" GAS)

Codice	DN	d/R	O-ring	Corpo	H	Z	L	B	E	Lunghezza sensore	Idoneo per (*)
TMFODN23	23	1 1/4"	-	OTTONE	74,2	46,2	14	28	50	-	F

(*) Idoneo per: F = sensori di flusso; A = sensori analitici

ADATTATORI DI INSTALLAZIONE PER FLS F3.20

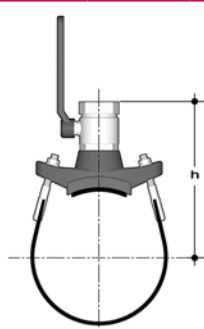


Adattatori a saldare in acciaio inox 316L

Codice	DN	d/R	Filettatura GAS	Corpo	L	D1	D2	Diametro foro (mm)	Lunghezza sensore	Idoneo per (*)
WAIXHP	40	-	1 1/4"	Acciaio inox AISI 316L	68,5	34	42,8	34	L0	F
WAIXHP	50	-	1 1/4"	Acciaio inox AISI 316L	68,5	34	42,8	43	L0	F
WAIXHP	60	-	1 1/4"	Acciaio inox AISI 316L	68,5	34	42,8	43	L0	F
WAIXHP	65	-	1 1/4"	Acciaio inox AISI 316L	68,5	34	42,8	43	L0	F
WAIXHP	80	-	1 1/4"	Acciaio inox AISI 316L	68,5	34	42,8	43	L0	F
WAIXHP	100	-	1 1/4"	Acciaio inox AISI 316L	68,5	34	42,8	43	L0	F
WAIXHP	110	-	1 1/4"	Acciaio inox AISI 316L	68,5	34	42,8	43	L0	F
WAIXHP	125	-	1 1/4"	Acciaio inox AISI 316L	68,5	34	42,8	43	L0	F
WAIXHP	150	-	1 1/4"	Acciaio inox AISI 316L	68,5	34	42,8	43	L0	F
WAIXHP	175	-	1 1/4"	Acciaio inox AISI 316L	68,5	34	42,8	43	L0	F
WAIXHP	200	-	1 1/4"	Acciaio inox AISI 316L	68,5	34	42,8	43	L0	F

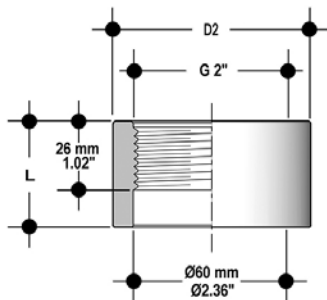
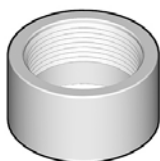
(*) Idoneo per: F = sensori di flusso; A = sensori analitici

INSTALLAZIONE SU TUBI IN PLASTICA E METALLO IN CARICO


Collari di presa con cinghia***

Codice	DN	D.E. min	D.E. max	Filettatura GAS	O-ring	Corpo	Inserto	H	Diametro foro (mm)	Lunghezza sensore	Idoneo per (*)
SZIC080IHT	80	88	104	2,00"	NBR	Ghisa + acciaio inox	-	160	Min 32	-	F
SZIC100IHT	100	112	126	2,00"	NBR	Ghisa + acciaio inox	-	170	Min 32	-	F
SZIC125IHT	125	140	154	2,00"	NBR	Ghisa + acciaio inox	-	172	Min 32	-	F
SZIC150IHT	150	168	184	2,00"	NBR	Ghisa + acciaio inox	-	172	Min 32	-	F
SZIC200IHT	200	218	244	2,00"	NBR	Ghisa + acciaio inox	-	177	Min 32	-	F
SZIC250IHT	250	272	295	2,00"	NBR	Ghisa + acciaio inox	-	175	Min 32	-	F
SZIC300IHT	300	322	354	2,00"	NBR	Ghisa + acciaio inox	-	178	Min 32	-	F
SZIC350IHT	350	356	414	2,00"	NBR	Ghisa + acciaio inox	-	178	Min 32	-	F
SZIC400IHT	400	406	472	2,00"	NBR	Ghisa + acciaio inox	-	171	Min 32	-	F
SZIC450IHT	450	457	534	2,00"	NBR	Ghisa + acciaio inox	-	180	Min 32	-	F

** Dimensioni maggiori disponibili su richiesta


Addattori a saldare in acciaio inox 316L

Codice	DN	d/R	Filettatura GAS	Corpo	L	D1	D2	Diametro foro (mm)	Lunghezza sensore	Idoneo per (*)
WAIXHT	350	-	2,00"	Acciaio inox 316L	40	-	75	Min 32	-	F
WAIXHT	400	-	2,00"	Acciaio inox 316L	40	-	75	Min 32	-	F
WAIXHT	450	-	2,00"	Acciaio inox 316L	40	-	75	Min 32	-	F
WAIXHT	500	-	2,00"	Acciaio inox 316L	40	-	75	Min 32	-	F
WAIXHT	600	-	2,00"	Acciaio inox 316L	40	-	75	Min 32	-	F
WAIXHT	700	-	2,00"	Acciaio inox 316L	40	-	75	Min 32	-	F
WAIXHT	800	-	2,00"	Acciaio inox 316L	40	-	75	Min 32	-	F
WAIXHT	900	-	2,00"	Acciaio inox 316L	40	-	75	Min 32	-	F

(*) Idoneo per: F = sensori di flusso; A = sensori analitici