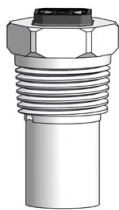


Graphite conductivity electrodes with PVDF body are the ideal complement for controllers. They perform an accurate and reliable operativity into chemical environment. These electrodes are made for an easy maintenance, accurate reading and fast response.



ECDC/K1
ECDCC/K1
ECDCPT/K1



ECDC/K10
ECDCC/K10
ECDCPT/K10



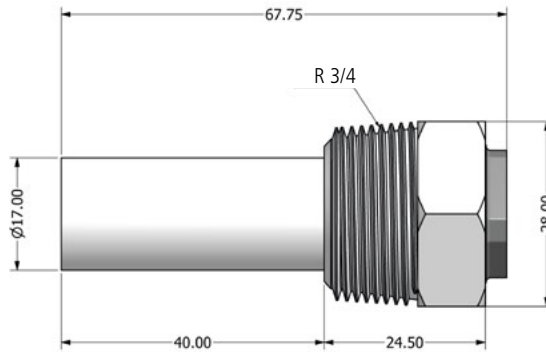
ECDCM/K1
ECDCCM/K1
ECDCMPT/K1

Max	7 bar 60°C
K	1-10

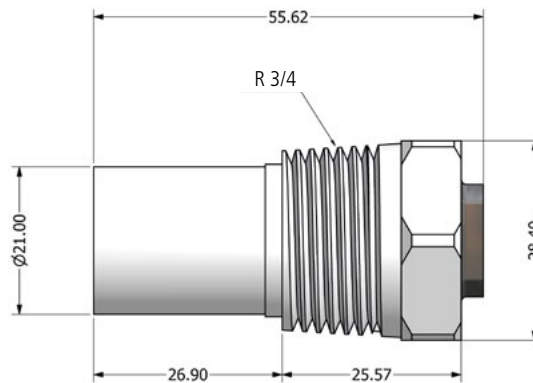
MODELS

	ECDC/1	ECDC/10	ECDCC/1	ECDCC/10	ECDCPT/1	ECDCPT/10
Working Range	0÷20 mS	0÷200 mS	0÷20 mS	0÷200 mS	0÷20 mS	0÷200 mS
"K" Factor	1	10	1	10	1	10
Max temp. pressure	7 bar/60°C (2 bar/100°C)	7 bar/60°C (2 bar/100°C)	7 bar/60°C (2 bar/100°C)	7 bar/60°C (2 bar/100°C)	7 bar/60°C (2 bar/100°C)	7 bar/60°C (2 bar/100°C)
Body	PVDF	PVDF	PVDF	PVDF	PVDF	PVDF
Electrodes	Graphite	Graphite	Graphite	Graphite	Graphite	Graphite
Diameter	R 3/4"	R 3/4"	R 3/4"	R 3/4"	R 3/4"	R 3/4"
Cable Length	4 mt	4 mt	4 mt	4 mt	4 mt	4 mt
Temperature Compensator	N/A	N/A	NTC 10K	NTC 10K	PT100	PT100

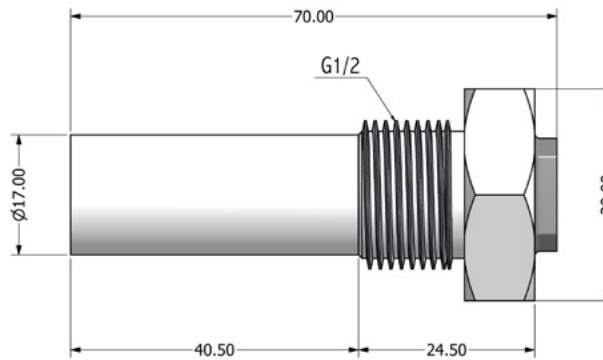
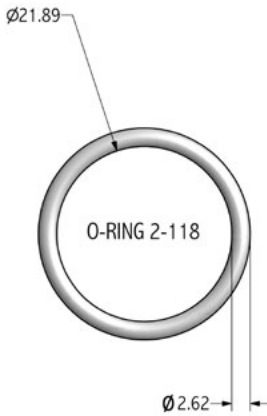
	ECDCM/1	ECDCCM/10	ECDCMPT/1
Working Range	0÷20 mS	0÷200 mS	0÷20 mS
"K" Factor	1	10	1
Max temp. pressure	7 bar/60°C (2 bar/100°C)	7 bar/60°C (2 bar/100°C)	7 bar/60°C (2 bar/100°C)
Body	PVDF	PVDF	PVDF
Electrodes	Graphite	Graphite	Graphite
Diameter	G 1/2"	G 1/2"	G 1/2"
Cable Length	4 mt	4 mt	4 mt
Temperature Compensator	N/A	N/A	NTC 10K



ECDC/K1
ECDC/K1
ECDCPT/K1



ECDC/K10
ECDC/K10
ECDCPT/K10



ECDCM/K1
ECDCM/K1
ECDCMPT/K1



Connector with cable
4 mt long

COMPENSATION	C A B L E S		SECTION
N/A	RED	ELECTRODE	4 x 0.14
	BLACK		
	GROUND	GROUND	

NTC 10K	RED	ELECTRODE	4 x 0.14
	BLACK		
	WHITE	NTC 10K	
	GREEN		

PT 100	RED	ELECTRODE	2 x 0.50
	BLACK		
	BLUE	PT 100	4 x 0.22
	GREEN		
	BROWN		
	YELL.-WHITE		