

## Technical Data

MF100E for mini low flow of gas, and liquid

**Material:** 316 stainless steel for case and body.

**Indication:** via magnetic coupling (no seals)

**Flow rate:** air- 8~150 NL/H  
water- 0.1~2.5 L/H

**Working Temperature:**

Combine without electronic parts: -40°C~+180°C

**Working Pressure:** Standard 40 kg/cm<sup>2</sup>;  
other options upon request

**Connection size:** ¼" NPT or BSP available

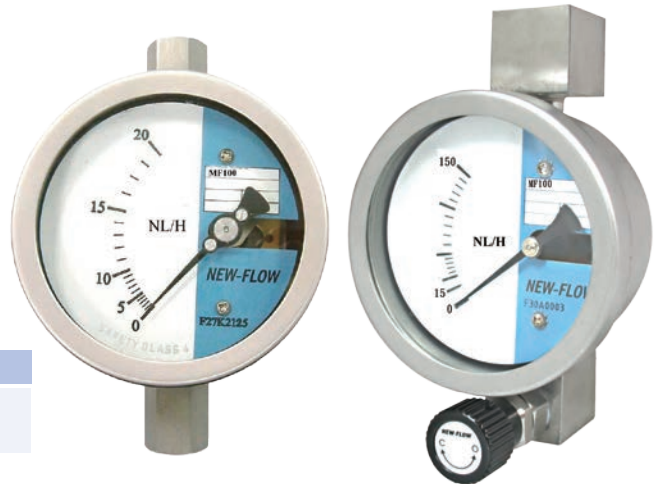
**Protection Class:** IP66 / IP68

**Accuracy:** ± 5 % FS

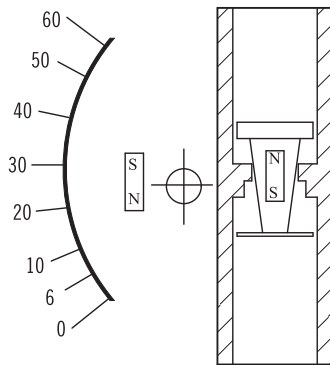
**Approvals:**

**CE 2810**

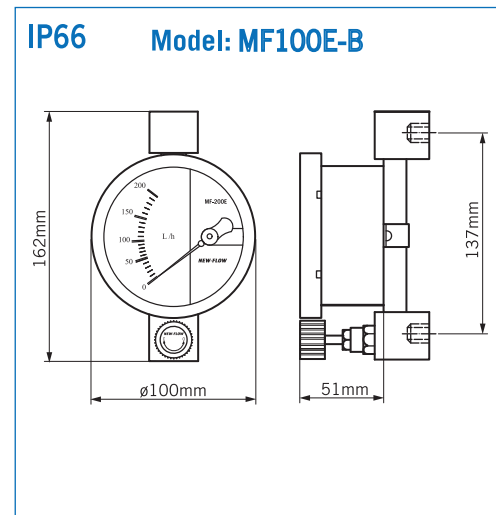
(PED: 2014/68/EU)



## Principle



## Dimensions



**MF100E-B**

Basic Model:

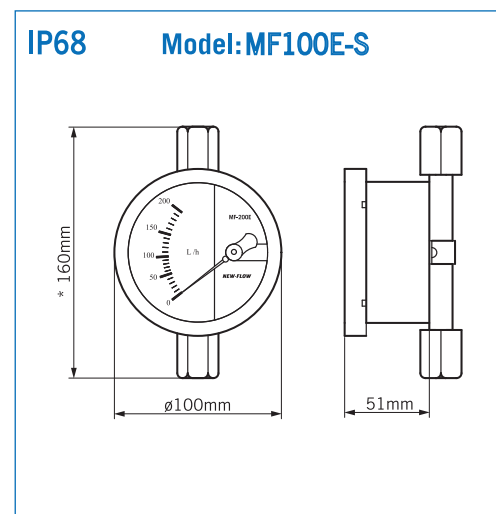
Rear connection + needle valve

## Standard Scales

Tube	NL/H Air 0°C 1.013bar	L/H Water 20°C	Accuracy
MF1001	8~40 NL/H	0.1~0.5 L/H	±5% F.S
MF1002	10~70 NL/H	0.3~1.5 L/H	±5% F.S
MF1003	15~90 NL/H	0.4~2.0 L/H	±5% F.S
MF1004	15~150 NL/H	0.5~2.5 L/H	±5% F.S

**NOTE.**

Performance Technical Data are effective with date of issue and are subject to change without prior notice.



**MF100E-S**

Basic Model:

Thread connection

**Installation**

**REAR FLOW DIRECTION**

**HORIZONTAL FLOW DIRECTION**

**UP FLOW DIRECTION**

**FALLING FLOW DIRECTION**

**SPECIAL NOTE**  
No minimum length requirement for straight pipe.

**Ordering Information**

MF100E	Code	Connection	Code	Connection size
	S	Thread connection	4B	1/4" BSP (Female)
	B	Rear connection with needle valve	4N	1/4" NPT (Female)
		<b>Code</b>   <b>Type</b>		<b>Code</b>   <b>Protection Class</b>
		G   Indicating only		IP   IP66 (for MF100E-B) / IP68 (for MF100E-S)
		<b>Code</b>   <b>Alarm</b>		<b>Code</b>   <b>Fluid</b>
		0   Without alarm switch		G   Gas
		<b>Code</b>   <b>Body material</b>		L   Liquid
		A   SS316		<b>Code</b>   <b>Range</b>
		<b>Code</b>   <b>Float &amp; Wetted part material</b>		S   Standard range
		A   SS316		Please directly fill out the flow range in the order code.
		<b>Code</b>   <b>Connection rating</b>		
		0   Thread connection		

**CE Mark Request :**  
If stamp the CE<sub>2810</sub> mark is necessary, please consult with the manufacturer.

MF100E [ ] [ ] [ ] [ ] [ ] [ ] [ ] [ ]

+ [ ] [ ] [ ] [ ] [ ] [ ] [ ] [ ]

**NOTE:**  
1. Custom-made flow range and flange size upon request.  
2. Please fill in the ordering information and service condition,

**Special instruction, if any:**

---



---



---

**Service Condition:**

Fluid name: \_\_\_\_\_

Sp. Gr. (density): \_\_\_\_\_

Viscosity: \_\_\_\_\_

Press.: \_\_\_\_\_

Temp.: \_\_\_\_\_

Full scale: \_\_\_\_\_