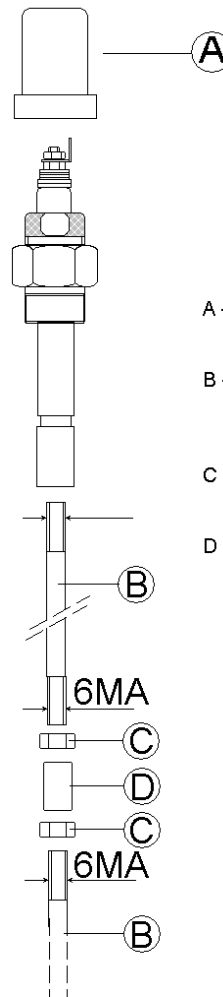
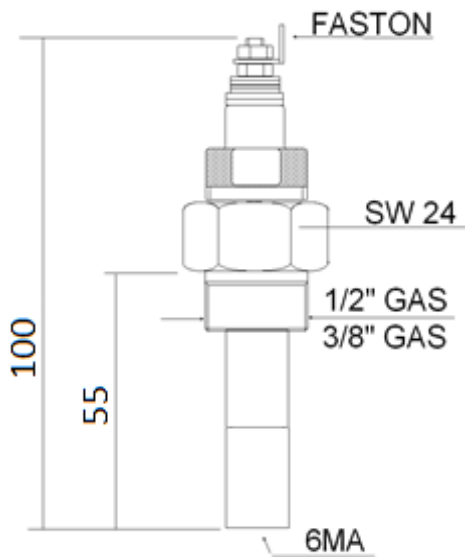




- **Sensor working:** conductive
- **Probe body:** stainless steel – AISI 303
- **Insulator:** alumina (Al<sub>2</sub>O<sub>3</sub>)
- **Thread:** 1/2" GAS
- **Electrode:** stainless steel AISI 303 Ø 6MA L=65mm
- **Temperature:** 250°C on the electrode
- **Pressure:** 25 bar
- **Protection class:** IP40 with protection (option)
- **Weight:** 100 g

**MECHANICAL DIMENSIONS**



- A - Coprinylon Protection  
999-021-00
- B - Electrode 6MA 1m long, stainless steel;  
with both threaded ends  
999-003-00
- C - Nut 6MA  
999-014-00
- D - Jointing nut 6MA/6MA  
999-012-00

ORDER CODE		
CODE	ELECTRODE	THREAD
395-000-00	stainless steel AISI 303 L= 55mm	1/2" stainless steel
395-001-00	stainless steel AISI 303 L= 55mm	3/8" stainless steel
ACCESSORY		
CODE	DESCRIPTION	
999-021-00	A Protection coprinylon	
999-003-00	B Electrode stainless steel AISI 304 L=1mt D=5,2mm	
999-014-00	C Nut 6MA stainless steel	
999-012-00	D Jointing nut 6MA x 6MA stainless steel	

Information provided herein can be changed without notice.