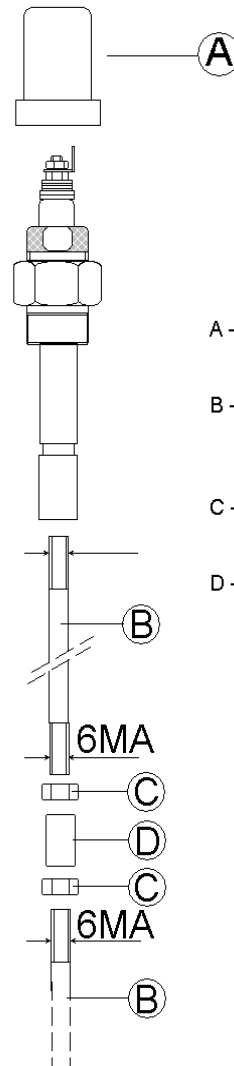
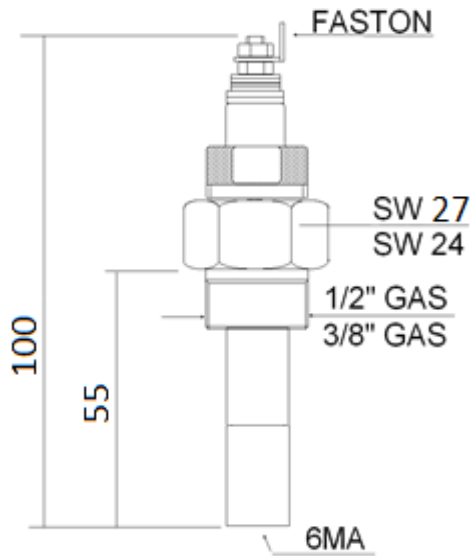




- **Sensor working:** conductive
- **Probe body:** stainless steel – AISI 303
- **Insulator:** allumina (Al₂O₃)
- **Thread:** 1/2" GAS
- **Electrode:** stainless steel AISI 303 ϕ 6MA L=65mm
- **Temperature:** 311°C on the electrode
- **Pressure:** 100 bar
- **Protection class:** IP30 with protection (option)
- **Weight:** 100 g

MECHANICAL DIMENSIONS



A - Coprinylon Protection
999-021-00

B - Electrode 6MA 1m long, stainless steel;
with both threaded ends
999-003-00

C - Nut 6MA
999-014-00

D - Jointing nut 6MA/6MA
999-012-00

ORDER CODE		
CODE	ELECTRODE	THREAD
396-000-00	Stainless Steel-ceramic 100 Bar 311°C	1/2"
396-001-00	Stainless Steel-ceramic 25 Bar 311°C	3/8"
ACCESSORY		
CODE	DESCRIPTION	
999-003-00	B	Electrode stainless steel AISI 304 L=1mt=5,2mm
999-014-00	C	Nut 6MA stainless steel
999-012-00	D	Jointing nut 6MA x 6MA stainless steel

Information provided herein can be changed without notice