
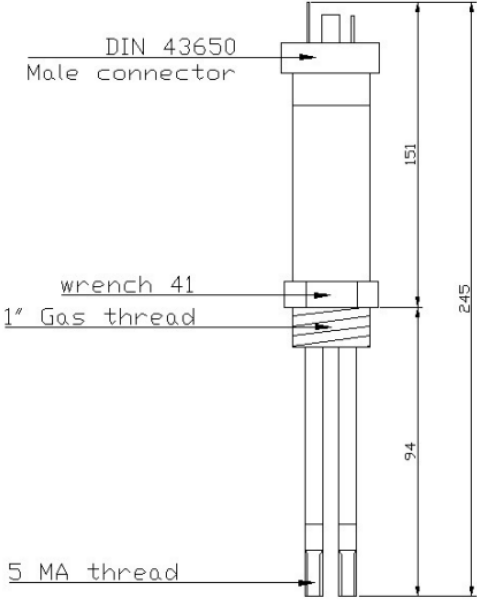
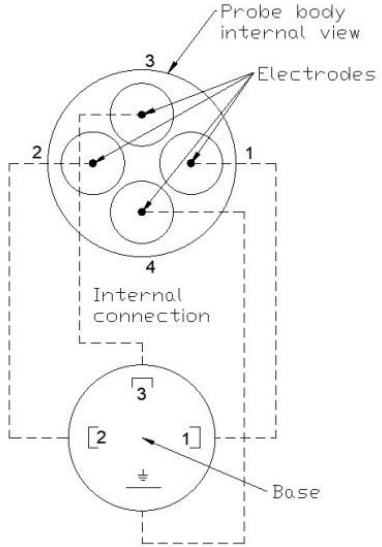


1" G Stainless steel electrodes holder with 4 stainless steel probes L=94mm coated in PTFE

DIMENSIONS	WIRING
 	

FEATURES

- Sensor working: conductive
- Probe body: stainless steel AISI303
- Thread: 1" G
- Electric connection: DIN 43650A with cable gland PG9
- Electrode: stainless steel AISI303 Ø5mm L=94mm
- Probes coating: in PTFE
- Temperature: 239°C on the electrodes
- Pressure: max 32 bar
- Weight: 750 g

ORDER CODES

Models	Electrodes	Body
710-040-00	Stainless steel AISI303 M5 threaded L=94mm	Stainless steel AISI303

ACCESSORIES

Models	Description
999-710-01	Kit 4 electrodes rod L=1000 mm threaded 5mm with 4 joints, 10 nuts and spacer