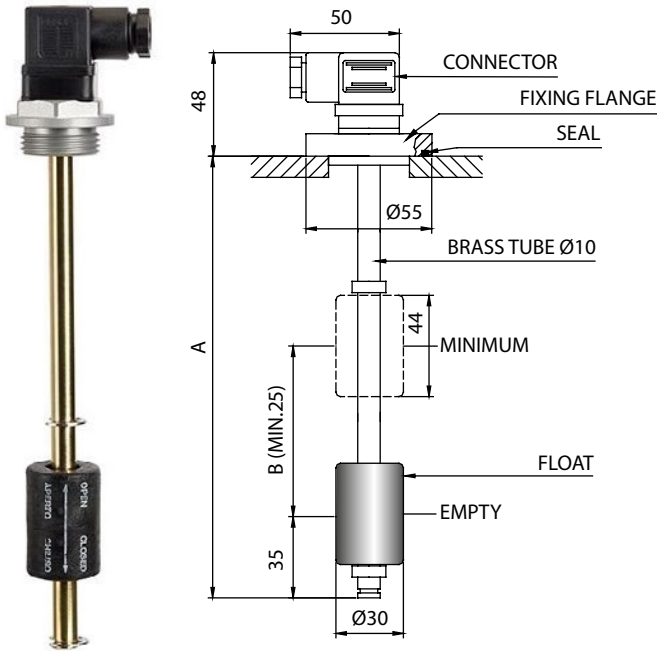
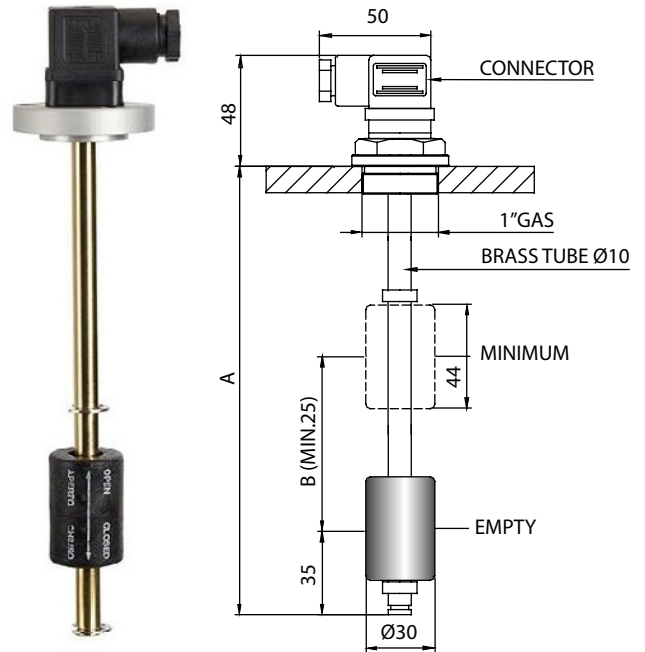


IEG-MVT



IEG-MVF



ELECTROMAGNETIC LEVEL INDICATORS WITH MINIMUM EMPTY CONTACTS

USE:

Made to ensure, with maximum safety, the minimum or and empty levels of liquids in tanks, and hydraulic power packs containing mineral oils with viscosity not higher than 220 cSt. and for all non-corrosive and inflammable liquids.

OPERATION:

The minimum and empty level indicators are used for having a double alarm signal at a pre-established distance. The former is normally used to signal when the liquid is nearly finished; the latter can be used as a machine stop, etc. The contacts that are activated by a single float can be at least 25 mm apart. Also, the signals (in absence of liquid) can be activated (they close) consecutively or deactivated (they open). The same principle can be applied for the maximum level control (max. and extra max.).

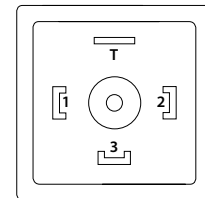
FITTING:

The indicator must be fitted in the vertical position, and the float must be at least 35mm from ferrous surfaces (walls, tanks, etc.). Flange seal is guaranteed by an oilproof synthetic rubber seal for IEG - MVF and O-ring for IEG - MVT.

IMPORTANT:

Due to the particular type of construction, these level indicators do not have reversible contacts, therefore when ordering it is necessary to request N.C. or N.O. contacts. (in absence of liquid). The two versions entirely in AISI 316 stainless steel can be obtained on request.

Connector CE
EN 175301-803-A
IP65 PG.9/11



MODEL	PIPE MATERIAL	CONNECTION ALUMINUM	ELECTRICAL CONTACTS	ELECTRICAL CHARACTERISTICS					TEMPERATURE		MAX. PRESSURE
				POWER COMMUTABLE IN D.C.	POWER COMMUTABLE IN A.C.	CURRENT STRENGTH IN A.C.	COMMUTABLE VOLTAGE	PROTECTION	RANGE	TEFLON WIRES	
IEG - MVF	BRASS		SPST	60 W	60 V.A.	3 A	230 VDC 230 VAC	IP 65	-20 +80 °C	-20 +120 °C	10 Bar
IEG - MVT											