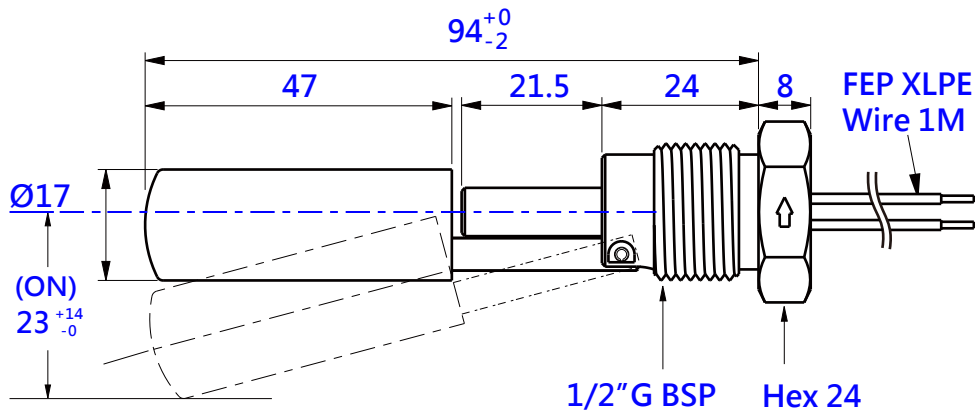


**Stainless Steel high temperature horizontal level switch**

**200°C S.S. LEVEL SWITCH**

**DIMENSIONS**



**TECHNICAL DATA**

Mounting Style	External
Mounting thread	1/2" G BSP
stem	SUS316
Float	Ø17x47, SUS316L
Operation Temp.	-10°C ... + 200°C
Max.Pressure	10 Bar
Float S.G.	0.7
Mini.Fluid S.G.	0.8
Contact Form	N/O (N/C), SPST
Switch Rating VA	50W
Switching Voltage Max.	300 Vac/350 Vdc
Switching Current Max.	DC 0.7A/AC 0.5A
Carry Current Max.	2.5A
Lead Wires	UL 1332 FEP XLPE AWG 22 x 1M