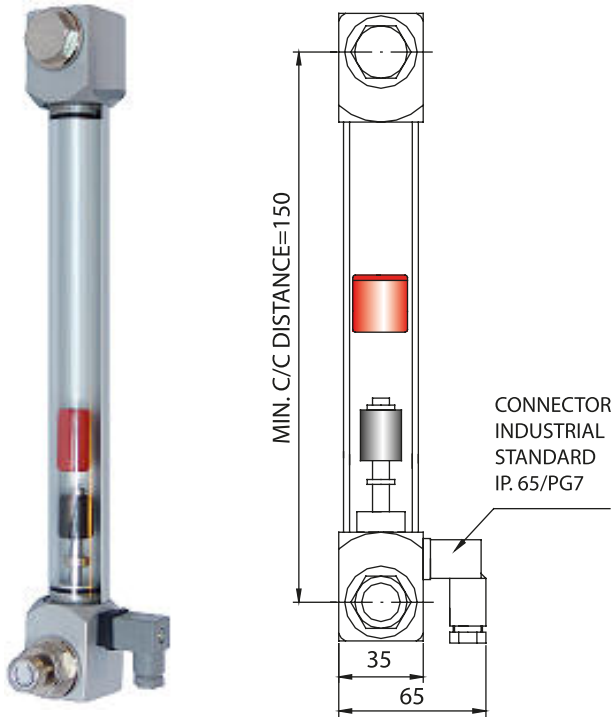
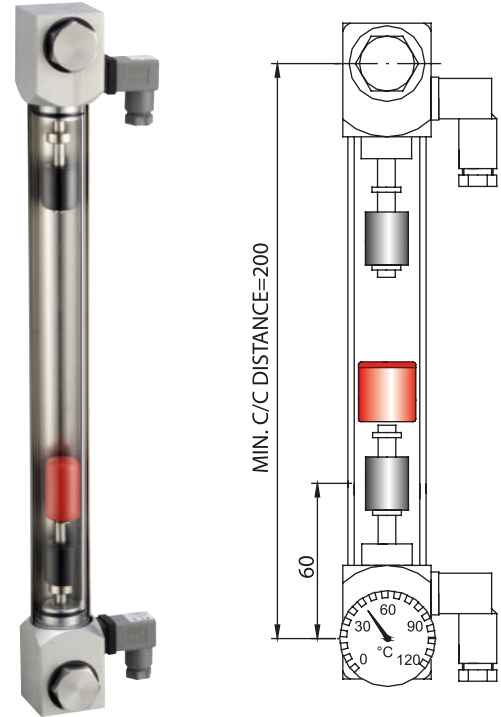


LMU+IE1



LMU+IE2



VISUAL LEVEL GAUGES IN METAL WITH MINIMUM SIGNAL

METAL VISUAL LEVEL GAUGES WITH MINIMUM AND MAXIMUM SIGNAL

USE:

Designed for a visual and electromagnetic control of liquids in tanks with possibility of sending a luminous/acoustic signal at a distance, or activating or disconnecting the electrical circuit connected to it. The electromagnetic control can be of minimum or maximum (or minimum and maximum). Our electromagnetic Levels are suitable for:

- hydraulic power packs
- tanks containing water, gas oil, mineral oils with viscosity not higher than 220 cSt and all other liquids except acids or flammable substances.

OPERATION:

When the float of the indicator encounters the Reed switch incorporated in the tube at the pre-established distance, the contact, activated by the magnet housed in the float, opens or closes. S.P.D.T (exchange) contacts are also provided for.

MODEL	C/C DISTANCE	TUBE MATERIAL	TEMP. (°C)	HEAD	FLOAT	LOWER CONNECTION	UPPER CONNECTION	THERMOMETER	OR MATERIAL	TEMP. (°C)	NUT	LOWER ELECTRICAL CONTACT	UPPER ELECTRICAL CONTACT							
LMU+IE1	FROM 150 TO 4000	A METHACRYLATE	-40...+85	A ANODIZED ALUMINIUM	1 NYLON-GLASS (RED)	A BRASS PLATED SCREW A=58	A BRASS PLATED SCREW A=58	S WITHOUT	1	NBR	-30...+100	A WITHOUT	C CLOSED IN ABSENCE OF LIQUID	N WITHOUT (ONLY FOR LMU+IE1)						
						B BRASS PLATED SCREW A=68	B BRASS PLATED SCREW A=68								2	FKM (VTON)	-25...+200	C GALVANIZED STEEL	O OPEN IN ABSENCE OF LIQUID	C CLOSED IN ABSENCE OF LIQUID
						C AISI316 S/STEEL SCREW A=58	C AISI316 S/STEEL SCREW A=58								3					
LMU+IE2	P PYREX	-70...+250	A ANODIZED ALUMINIUM	2 NBR (BLACK)	RO BRASS PLATED TAP OPEN/DOWNLOAD/CLOSE	RO BRASS PLATED TAP OPEN/DOWNLOAD/CLOSE	T BIMETALLIC PLUGGED IN TO LOWER SCREW [EXCLUDES R0 - R1 - R2] USED ONLY WITH CONNECTIONS LOWER A - C	4	SI (SILICONE)	-60...+200	C STAINLESS STEEL	S EXCHANGE (SPDT)	S EXCHANGE (SPDT)							
					R1 BRASS PLATED TAP OPEN/CLOSE	R1 BRASS PLATED TAP OPEN/CLOSE								5	FEP	-60...+205	S STAINLESS STEEL	S EXCHANGE (SPDT)	S EXCHANGE (SPDT)	
					R2 AISI316 S/STEEL TAP OPEN/DOWNLOAD/CLOSE	R2 AISI316 S/STEEL TAP OPEN/DOWNLOAD/CLOSE														
E.G. LMU+IE1	1000	P		A	T	A	A	S	T		C	C	N							