



TECHNICAL SPECIFICATIONS		
Ambient temperature		Max. 95°C
Maximum pressure	For 25°C	4 MPa
	For 95°C	1.5 MPa
Cable	CNP-18N	PVC 2x 0.75 mm ²
	CNP-18F	cabless (screw connector)
Protection class (CNP-18N)		IP67
Housing material		St. steel W.Nr. 1.4305 (AISI 303)
Electrode material		St. steel W.Nr. 1.4305 (AISI 303)
Insulation bushing		PTFE (Polytetrafluorethylene)
Weight		Approx. 100 g



- For limit level detection of liquids
- Media temperature up to +130°C
- Simple assembly, long service-life
- Housing and electrode is from stainless steel
- Designed with short bar electrode or dismountable rod electrode



BASIC FEATURES AND USE

Conductive probes CNP-18 are designed for direct detection of conductive liquids level (water, water solutions). The process connection is M18x1.5 threaded connection, and electrical by fixed cable or screw connector. The probes are connected to Dinel evaluation unit, type CDSU-522 (CDSU-522-W), or other types of evaluation units suitable for connection of the conductive sensors.

VARIANTS

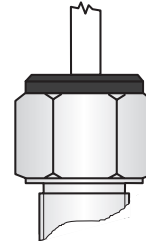
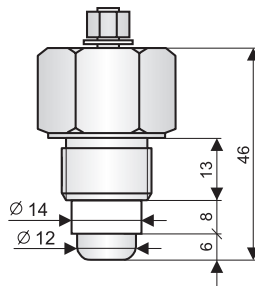
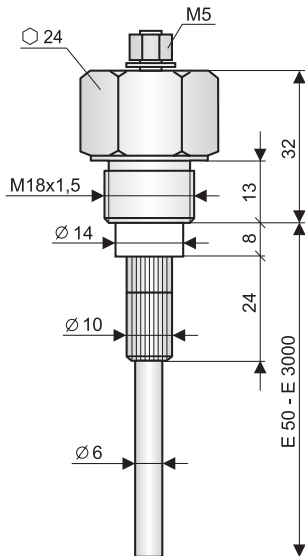
code	type
CNP - 18N - 10	Short bar electrode for horizontal mounting, fixed cable
CNP - 18F - 10	Short bar electrode for horizontal mounting, screw connector
CNP - 18N - 30	Dismountable rod electrode (from 50 up to 3000 mm) for vertical mounting, fixed cable
CNP - 18F - 30	Dismountable rod electrode (from 50 up to 3000 mm) for vertical mounting, screw connector

DIMENSIONS

CNP-18F-30

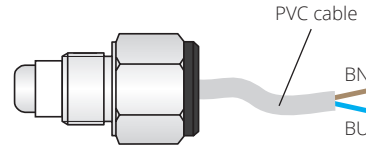
CNP-18F-10

**Variant N
with fixed cable**



ELECTRICAL CONNECTION

Variants "CNP-18N" are manufacture with 2-wire fixing cable. Housing probe is electrical connection to blue conductor (BU), probe electrode is electrical connection to brown conductor (BN). Probe variants CNP-18F are manufacture with screw connector electrical connection to housing. For evaluate the states of conductive probes we recommended use Dinel Level control relay units (CDSU-522 or CDSU-522-W).



Legend:
BN - Brown
BU - Blue

Fig. 1: CNP-18N cable connection

ORDER CODE AND CORRECT SPECIFICATION EXAMPLE

ORDER CODE		
CNP-18		
PERFORMANCE TYPE		
N	fixed cable	
F	screw connector M5	
ELECTRODE TYPE		
10	bar electrode, length 14 mm	
30	dismountable rod electrode, length 50 ... 3000 mm	
PROCESS CONNECTION		
M18	metric thread M18 x 1,5	
G1/2	thread G 1/2"	
G3/8	thread G 3/8"	
ELECTRODE LENGTH		
E	length of electrode in mm, only for type 30	
CABLE		
K	cable length in m	
CNP-18	N - 30 - M18 E1200 K 3 M	EXAMPLE OF CODING

ACCESSORIES

cable (nad standardní délku 2 m)	at extra cost
----------------------------------	---------------