

NAH-1 – WITHOUT ROTOR **NAH-2 – WITH ROTOR**

NAH are used for mounting in pipes for fluids. The instruments are equipped with female threads at inlet and outlet and can be supplied with either brass or stainless steel fittings.

Technical Data

Material: Body– Polycarbonate (P,C), Polysulfone (PSU) & SS316 available
 Tube Housing– Polycarbonate (P.C), Polysulfone (PSU) & Glass available
 O-Rings– Viton; Thread Connection– SS316; Rotor Guide– SS316
 Rotor– POM (Orange), PP+10% glass fiber (Yellow), PVDF (Red or White),
 PPS+40% glass fiber (Dark Brown) available
Viscosity: 1~150 mm²/s
Indication Range: minimum 0.4~4 L/Min; maximum 1.6~40 L/Min for water
Max. Pressure: PC body: 8 bar; PSU body: 8 bar; SS316 body: 8 bar
Max. Temperature: PC body: -5°C~+80°C; PSU & SS316 body: -5°C~+100°C;
 Rotors: please refer to the Optional for Rotors
Connection Size: ¼", ⅜", ½", ¾", 1" female PF or NPT available

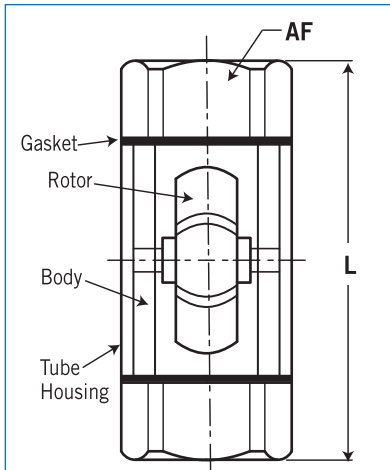
Patent No.
 Taiwan: M385024
 China: 1854921
 U.S.: 8418567B2



NAH-1

NAH-2

Dimensions-mm

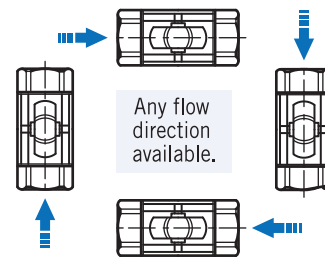


SIZE	L		AF	
	NPT	PF	NPT	PF
1/4"	80	80	30	30
3/8"	80	80	30	30
1/2"	104	104	40	40
3/4"	104	104	40	40
1"	104	104	40	46

Range Table

PF/NPT	With Rotor	Without Rotor
1/4"	0.4~4 L/Min	8.3 L/Min
3/8"	0.6~8 L/Min	11.1 L/Min
1/2"	1~12 L/Min	31.5 L/Min
3/4"	1~25 L/Min	36.5 L/Min
1"	1.6~40 L/Min	38.0 L/Min

Flow Direction



Optional for Rotors

<p>POM Color: Orange Temp. Limit: 100°C</p>	<p>PP+10% Glass Fiber Color: Yellow Temp. Limit: 60°C</p>	<p>PPS+40% Glass Fiber Color: Dark Brown Temp. Limit: 200°C</p>	<p>PVDF Color: Red or White Temp. Limit: 100°C</p>
--	--	--	---

NOTE. The temperature limit above-mentioned is only for the reference to the rotors. Please also considering the max. temperature of body in the operating.

Ordering Information

NAH	Code	Model	Code	O-Ring Material
	1	Without Rotor	2	With Rotor
			V	Viton
		Code Body / Tube Housing Material		Code Rotor Material (Color)
		1 P.C / P.C		1 POM (Orange)
		2 PSU / PSU		2 PP+10% Glass Fiber (Yellow)
		3 SS316 / Glass		3 Without Rotor (for NAH-1 only)
		Code Connection Size		4 PPS+40% Glass Fiber (Dark Brown)
		(1) 1/4" (2) 3/8" (3) 1/2"		5 PVDF (Red)
		(4) 3/4" (5) 1"		6 PVDF (White)
		Code Connection Rating		
		1 NPT Female		
		2 PF Female		
NAH				+ Complete Ordering Code